

Manufacturer: **Hatteland Technology AS**
 Product: **23.8 inch Maritime Multi Computer (MMC)**
 Type: **HD 24T30 MMC-xxx-xxxxxx**
 Where x=configuration

Last Revised: **09 May 2023**
 Revision#: **34**

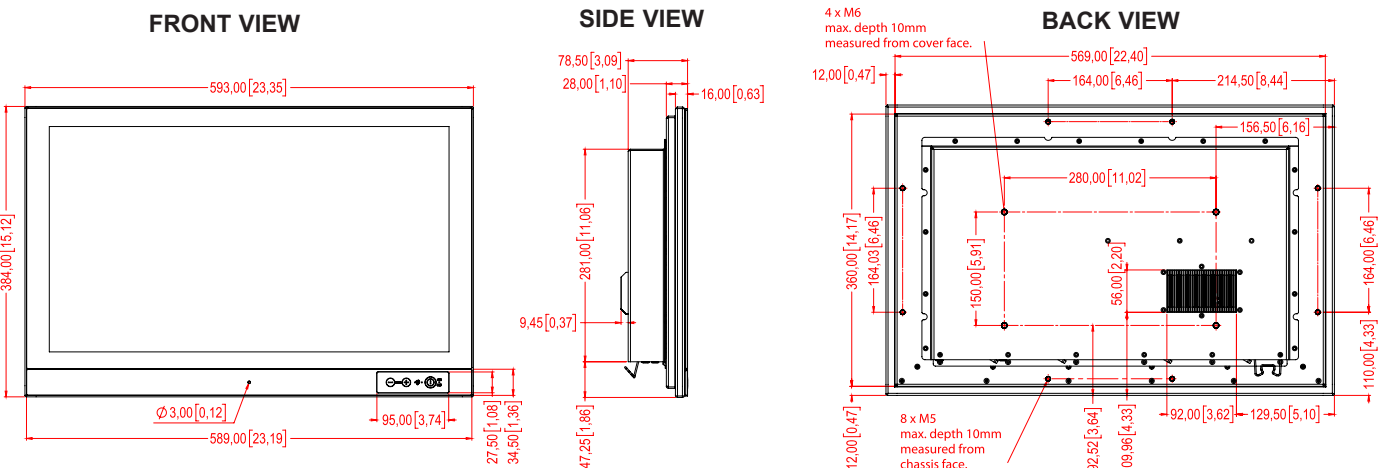
23.8 inch Maritime Multi Computer - Series E

Features:

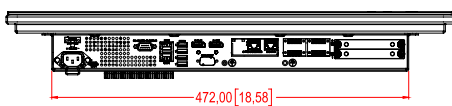
Series E is the new cost effective Panel Computers portfolio from Hatteland Technology. Designed for 10 years manufacturing, all Series E Panel Computers integrate Intel® Apollo Lake processor-based computers, high quality display technology, fan-less design and low power consumption to deliver a fast and reliable all-in-one solution for diverse maritime applications.

The integrated nature of Series E Panel Computers enables tangible cost savings for maritime technology and equipment manufacturers as well as systems integrators. The portfolio features a range of display sizes, new data storage technology and a number of IO options, providing full flexibility to integrate the highest quality displays in a wider range of maritime technology. Especially suited to developing new bridge solutions, Series E Panel Computers make it possible to continue improving safety and efficiency through safe navigation, while still retaining focus on quality and cost.

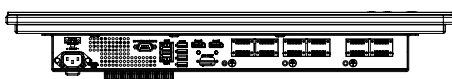
Series E Panel Computers also meet the same extreme quality standards as the proven Series X Panel Computer range and feature LED Backlight Technology, full dimming (0-100%) all as standard. In addition there are options such as Multi-Power (AC/DC) inputs or Single AC input, SSD and m.2 storage mediums and Multiple interface configurations. The product range can also accommodate and combine multi-touch screen and optical bonding.



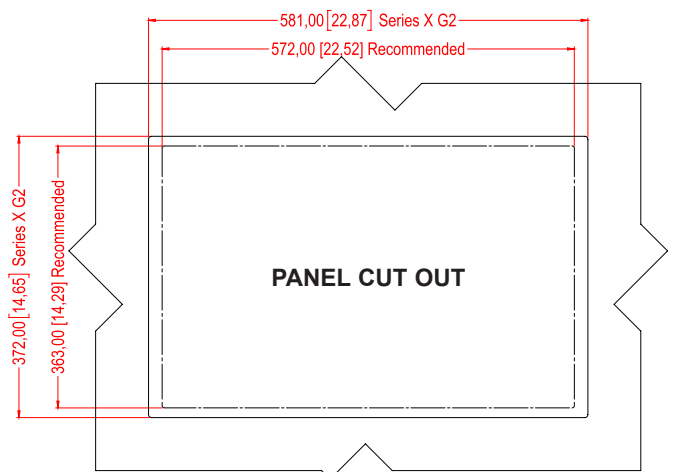
BOTTOM VIEW
 w/2 x Module Area + SSD Diskbays model



BOTTOM VIEW
 w/3 x Module Area model



TOP VIEW



Dimensions might be shown with or without decimals and indicated as mm [inches]. Tolerance on drawings is +/- 1mm. For accurate measurements, check relevant DWG file.

Computer Specifications:

- Supported OS : See table below
- CPU/Processor : 1 x Intel Atom® x7-E3950 Processor, 2M Cache, 1.60GHz / 2.00GHz
- Installed Storage : 32GB eMMC (Default). See table below
- Installed Memory : 2GB DDR3L single channel. See table below
- System Chipset : Intel® SOC
- Graphics Chipset : Intel® HD Graphics 505 (CPU dependent)
Supports OpenGL 4.6 (Windows/Linux) and OpenGL ES 3.2 (Linux)
- Ethernet LAN #1 : Realtek RTL8111H-CG Gigabit LAN 10/100/1000Mbps
- Ethernet LAN #2 : Intel I210IT Gigabit LAN 10/100/1000Mbps (Supports Intel® Teaming for LAN #2)
- BIOS : AMI BIOS, supports ACPI
Note: "Legacy Mode" option is not fully supported for System Chipset and Microsoft® Windows® 10.
- Buzzer : Yes (according to EN60945)
- Speaker : None
- WatchDog Timer : Yes (256 segments, 0, 1, 2...255 sec/min)
- Other features : RTC (0.5s/day), Battery Alarm, WakeOnLan, AT Mode, Fast Boot, USB Boot, TPM2.0,
- DP++ Out Max Res. : 640 x 480 to 4096 x 2304 @ 60Hz

Power Specifications:

Power Supply Options:

- Multi-Power option : 100-240V AC - 50/60Hz + 24VDC (MMC-Mxx)
- Single AC Power Option : 100-240V AC - 50/60Hz (MMC-Axx)

Note: You may connect either AC power or DC power or both. In case both sources are connected, power will be sourced from the AC input. If AC input is lost, there will be a uninterrupted switch-over to DC input.

Power Consumption: *(see note)

- Operating AC/DC : 45.2W (typ) - 156W (max)
- Operating AC : 45.2W (typ) - 125W (max)

*Power Consumption: Numbers are specified as the unit is delivered from factory. All additional installed equipment like USB, PCIe and similar loads have to be added to power consumption. Note that total extra load have to be multiplied by 1.5 to compensate for efficiency in internal power converters. Typical power consumption varies a lot with computer load. We measure with 25% of max computer load.

User Controls:

On front bezel IP66:

- Power On/Off, Brightness Control (-/+), Power LED, ECDIS LED
- Buzzer (75-85dB), Light Sensor

TFT Technology:

- LED Backlight Technology, TFT Active-matrix
- 23.80 inch viewable image size, Widescreen, Aspect Ratio 16:9
- MVA (Multi-domain Vertical Alignment) LCD Technology, RGB vertical stripe

TFT Characteristics:

- Native Resolution : 1920 x 1080 (FHD)
- Pixel Pitch (RGB) : 0.274.5 (H) x 0.274.5 (V) mm
- Response Time : 14 ms (typ), G/G
- Contrast Ratio : 1000:1 (typical)
- Light Intensity : 250 cd/m² (typical)
- Viewable Angle : +/- 89 deg. (typical) (Up/Down/Left/Right)
- Active Display Area : 527.04 (H) x 296.46 (V) mm
- Max Colors : 16.7 millions (RGB 8-bit)

Available Computer Configurations:

Type	Description	Size/Specification
Memory/RAM	DDR3L, 1600MHz, SO-DIMM	- 2GB Single Channel - 4GB (2x2GB) - Dual Channel - 8GB (2x4GB) - Dual Channel
Additional Internal Storage	m.2	- 240GB->
	eMMC	- 32GB
Software Support	Application Programming Interface (API) - as defined in associated documents	- SCOM
OS Options	Windows® 10 IoT Enterprise 2019 LTSC (64bit) - Product Distribution End Date January 2029 Linux: Kernel 4.10 or later	

Physical Dimensions:

Product Dimensions and Weight:

- W:593.00 [23.35"] x H:384.00 [15.12"] x D:78.50 [3.09"] mm [inch]
- Weight: Approx. 8.5kg / 18.74lbs
- Product Carton Size and Weight:**
- L:700.00 [27.56"] x W:185.00 [7.28"] x H:585.00 [23.03"] mm [inch]
- Weight: Approx. 12.0kg / 26.5lbs

Environmental Considerations:

Operating Temperature	: -15°C to +55°C
Storage Temperature	: -20°C to +60°C
Humidity	: Up to 95% (Operating / Storage)
Shock - Vibration	: 5g/11ms - 0.7g (IEC 60945 / IACS E10)
Air Pressure Maximum Altitude	: Operating: 4000m - Storage: 12912m
Air Pressure Maximum Altitude (Bonded)	: Operating: 3000m - Storage: 3000m
IP-Rating Protection	: IP66 front - IP20 rear (EN60529).
Compass Safe Distance	: Standard: 80cm - Steering: 60cm

Lifetime Considerations:

Even though the test conditions for bridge units provide for a maximum operating temperature of 55°C, continuous operation of all electronic components should, if possible, take place at ambient temperatures of only 25°C. This is a necessary prerequisite for long life and low service costs.

Input/Output Connectors:

Connector	Rear
DisplayPort (DP++) Out	: 2 x 20p DisplayPort (female)
USB2.0	: 4 x USB Type A
Ethernet GB LAN	: 2 x RJ-45
COM RS-232 & 422/485	: 1 x DB9M non-isolated (Change RS mode in BIOS)
COM RS-232 (Internal)	: 1 x Internal Virtual COM (Software controlled)
AC Power IN	: 1 x Std IEC inlet
If DC Power IN	: 1 x 2-pin Terminal Block 5.08

Factory Options:

- Projected Capacitive Touch Screen (Multitouch, USB, Pen/Glove support)
- Optical Bonding Technology
- Variations of Storage, RAM Memory and Operating Systems.
- 1 x HT 00235 OPT-A1: 2W Amplified Audio out via DB9F

- Model with 1 x Diskbay with support for 2 x 2.5" and max 2 Modules
- Model with 3 x Modules, no Diskbay

Modules available (depending on base model above):

Review full configuration matrix in User Manual INB101505-1
1,2 or 3 x PCA200828-1: 4xCOM RS-422/485 isolated NMEA 4 channel or 1,2 or 3 x PCA100309-1: Dual Isolated RS-232, connector 2xDB9M or 1 x HTA2020002-AD1033: CAN isolated 2 channel or 2 x 4 channel or 1 x HTA2020002-SLCAN (1xCAN isolated, 2 channel, socketCAN) module or 1 x PCA100297-1: Isolated Digital IO module, 4 x OUT/4 x IN or 1 or 2 x PCA100298-1: LAN 10/100Mbps, 2 ports RJ45

Frame Grabber options (1 x supported via M.2 (PCIe x1) slot):

- HD550N1 SDI M2: 1 x SDI IN, 1920x1080@60/50fps
- HD550N1 HDV M2: 1 x HDMI IN+1 x VGA IN, 1920x1200p@60/50fps

Accessories:

- HD CMB SE1-B1 : 1 x Console Mount Kit. EN60945 Tested**
- HD TMB SE1-B1 : 1 x Table Mount Bracket. EN60945 Tested
- HD VED SX1-A1 : 1 x VESA Adapter, not EN60945 Tested
- JH C01MF A-A : 1 x USB Cable 1m, TypeA-Chassis mount receptacle
- HT 00262 OPT-A1 : 4 x RS-422/RS-485 isolated, USB ext. module
- HT 00263 OPT-A1 : 4 x RS-232 COM non-isolated, USB ext. module
- HT 00264 OPT-A1 : 1 x CAN isolated, 2 channel, USB ext. module
- HT 00264 OPT-A2 : 1 x CAN isolated, 2 channel, socketCAN USB ext. module
- HT 00273 OPT-A1 : 4 x Digital IN/OUT isolated, USB ext. module
- HT 00274 OPT-A1 : 2 x LAN 10/100Mbps, RJ45, USB ext. module
- HT 00300 MSOS : OS options:
<https://www.hattelandtechnology.com/ost>
- HD 000TR SX2-A2 : 1 x Removable Tray 2.5" Empty
- HD xxxxy SX1-z1 : 1 x Removable Tray 2.5" w/Storage Device*

*Where xxx=Size of device. yy=GB, TB. z=S (SSD) - Choose Device from table.
**Included in delivery

APPROVALS & CERTIFICATES

This product have been tested / type approved by the following classification societies:

IEC 60945 4th (EN 60945:2002)

IACS E10

EU RO MR - Mutual Recognition

ClassNK - Nippon Kaiji Kyokai

CCS - China Classification Society

KR - Korean Register of Shipping

BV - Bureau Veritas

ABS - American Bureau of Shipping