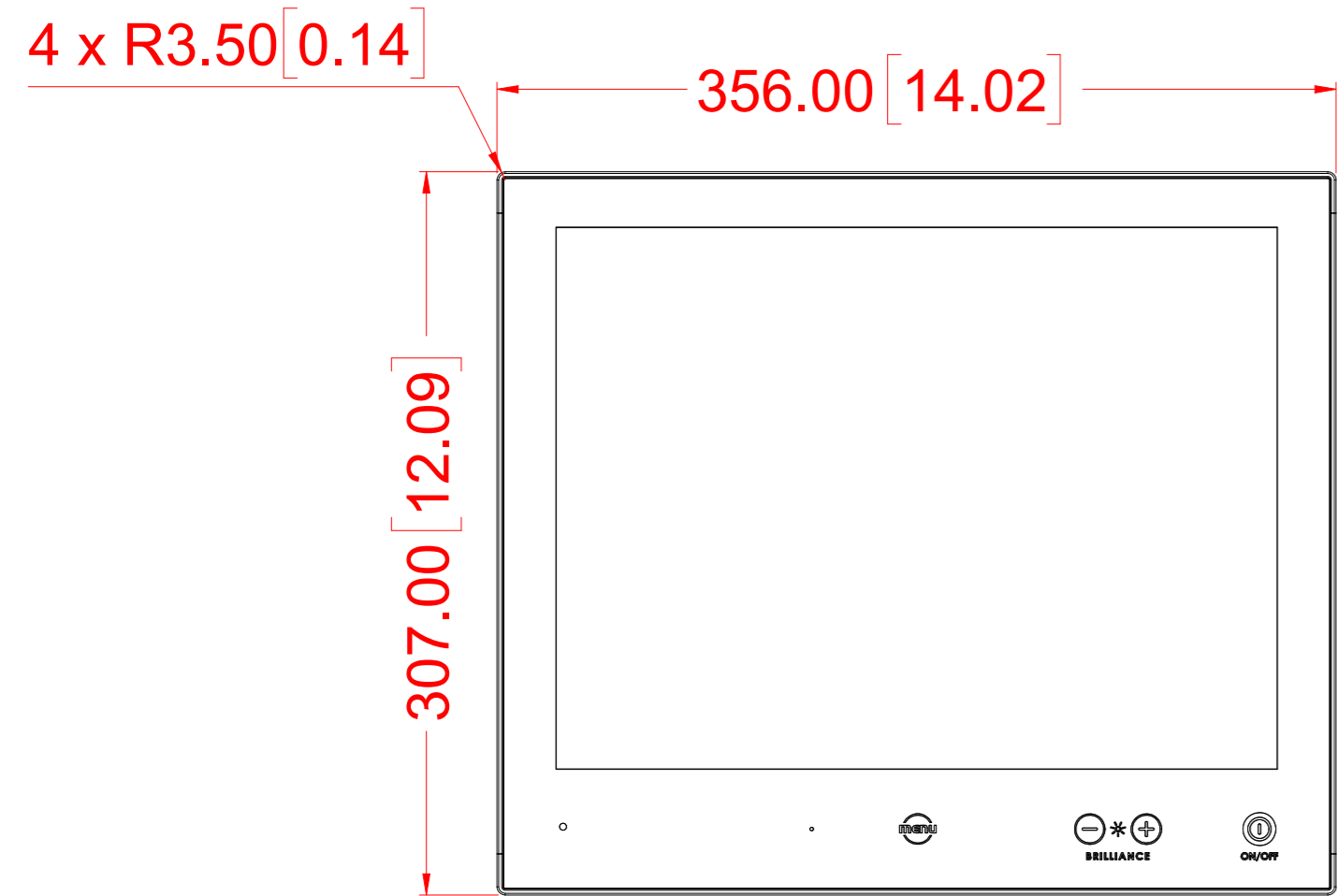
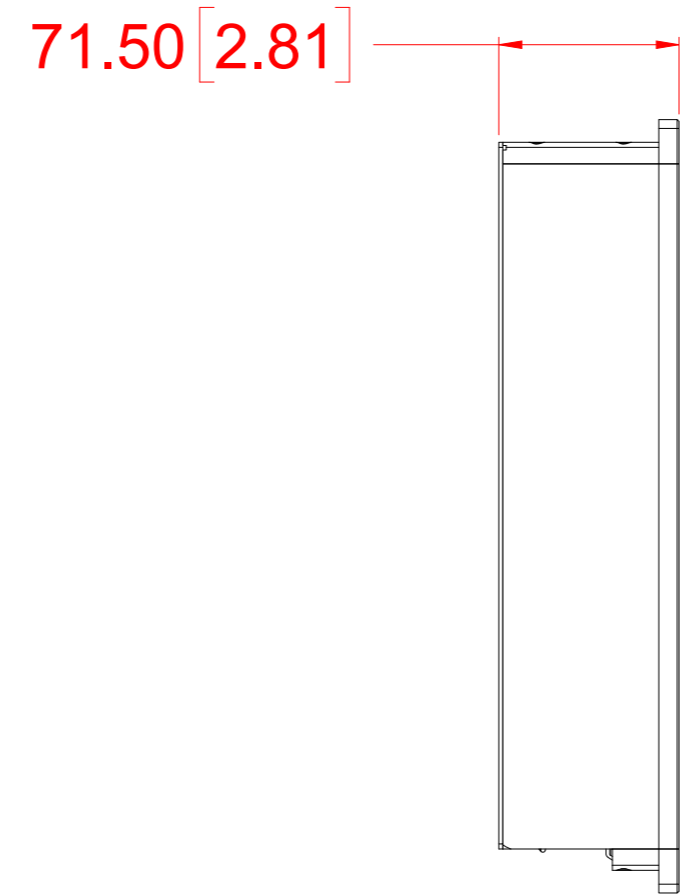


This document is the property of Hatteland Technology AS.
 This document and any authorized reproduction thereof must not be used in
 any way against the interest of Hatteland Technology AS.
 Any authorized reproduction, in whole or in part, must include this legend.

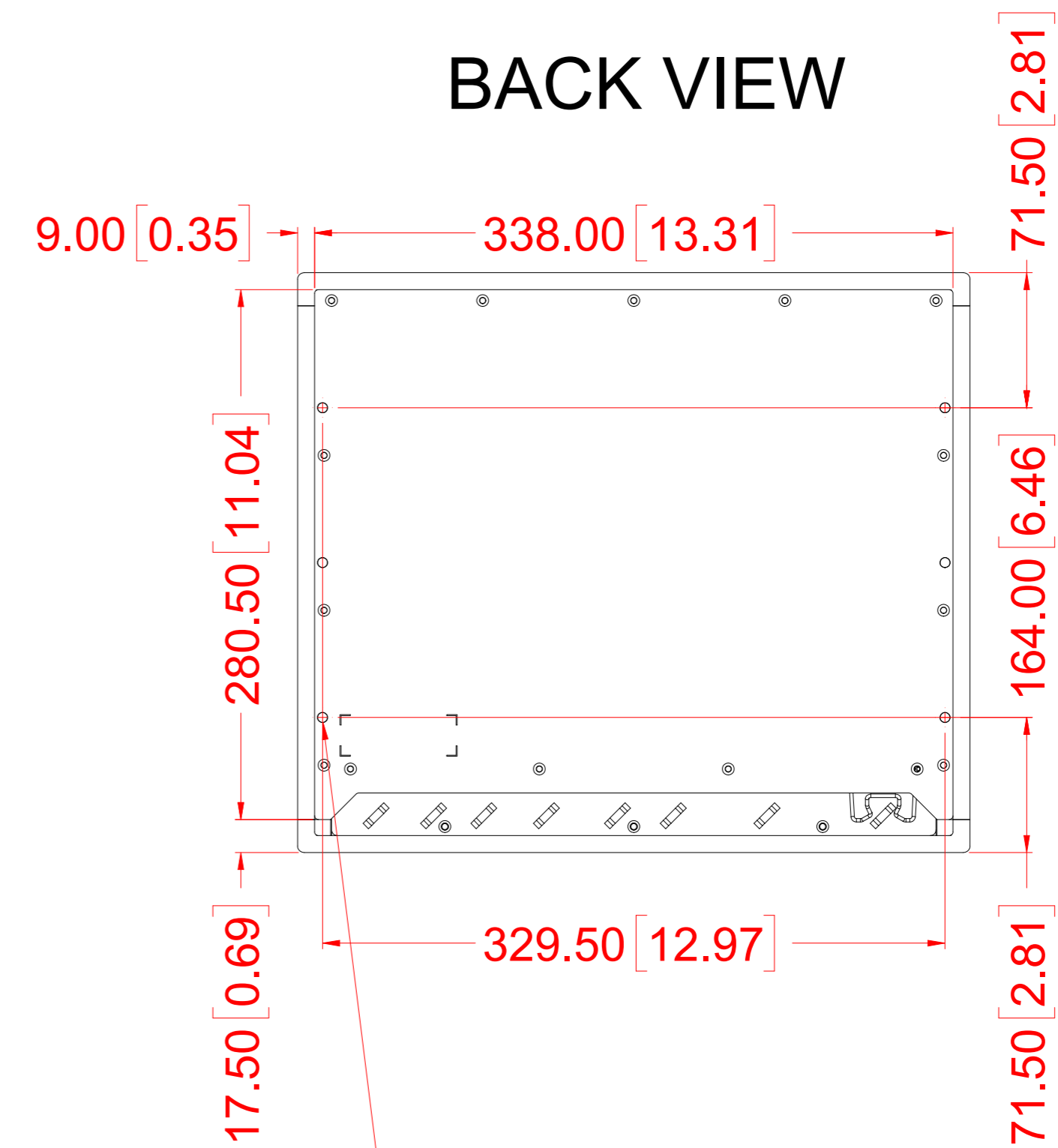
FRONT VIEW



SIDE VIEW

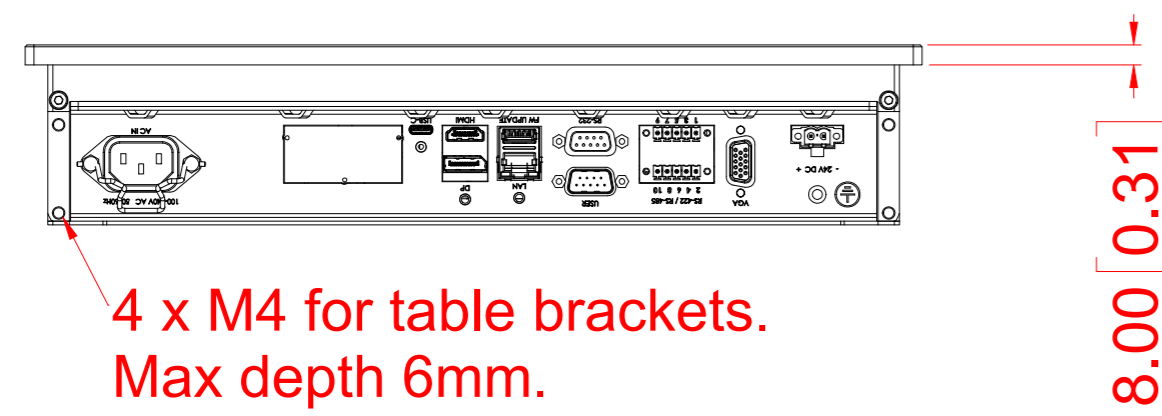


BACK VIEW



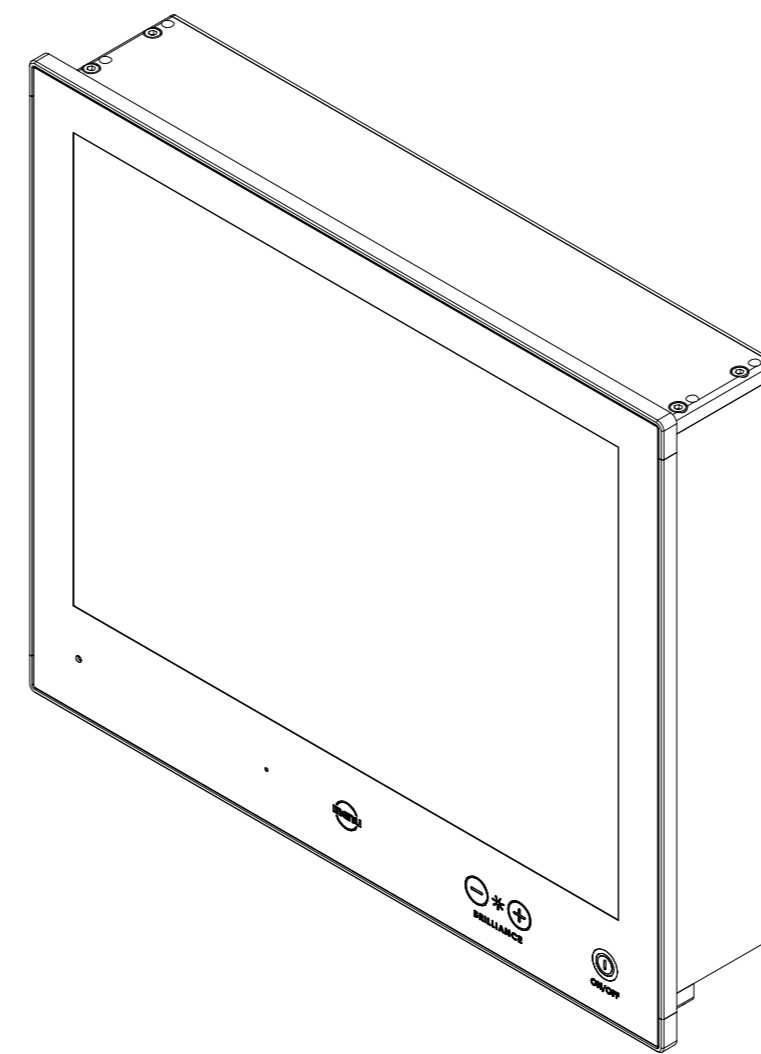
4 x M5 for console/VESA brackets.
 Max depth 16mm.

BOTTOM VIEW (no Expansion Board)

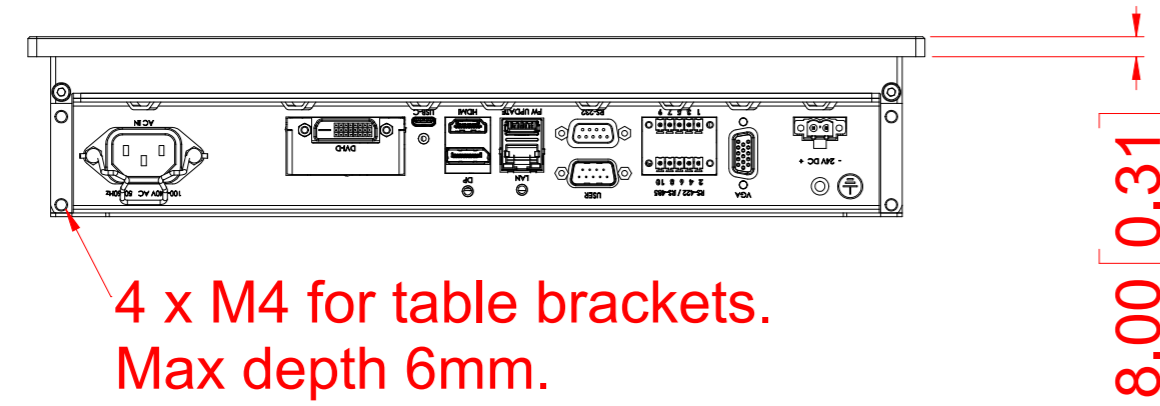


4 x M4 for table brackets.
 Max depth 6mm.

DIMETRIC VIEW

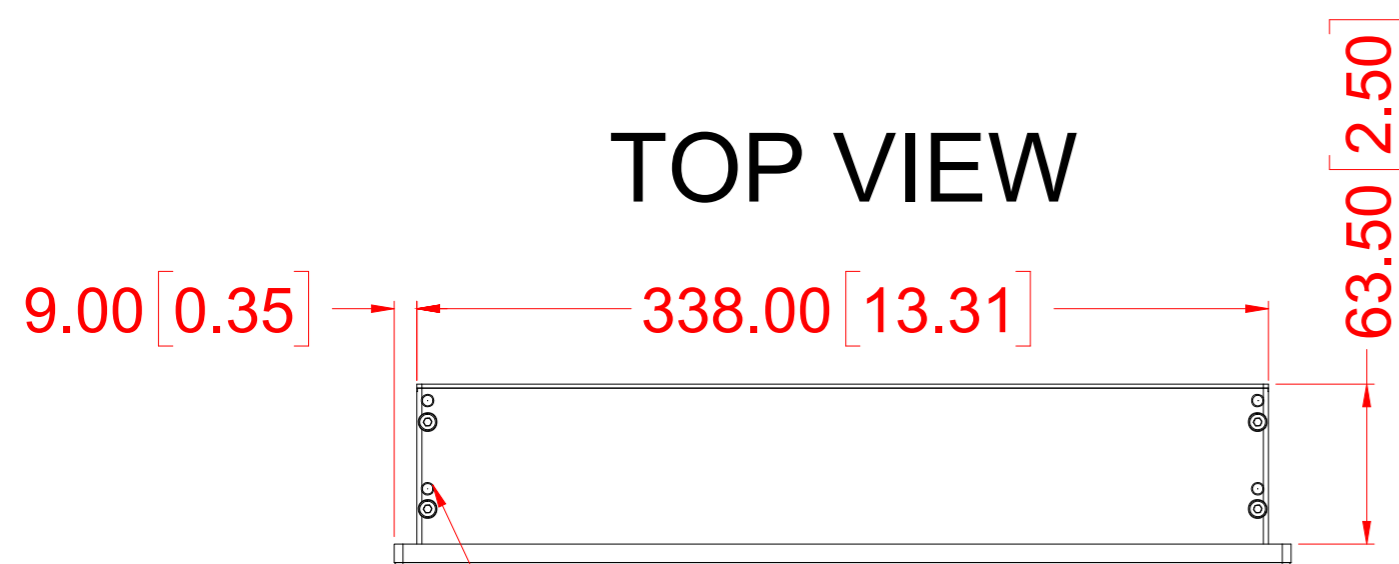


BOTTOM VIEW (with Expansion Board)

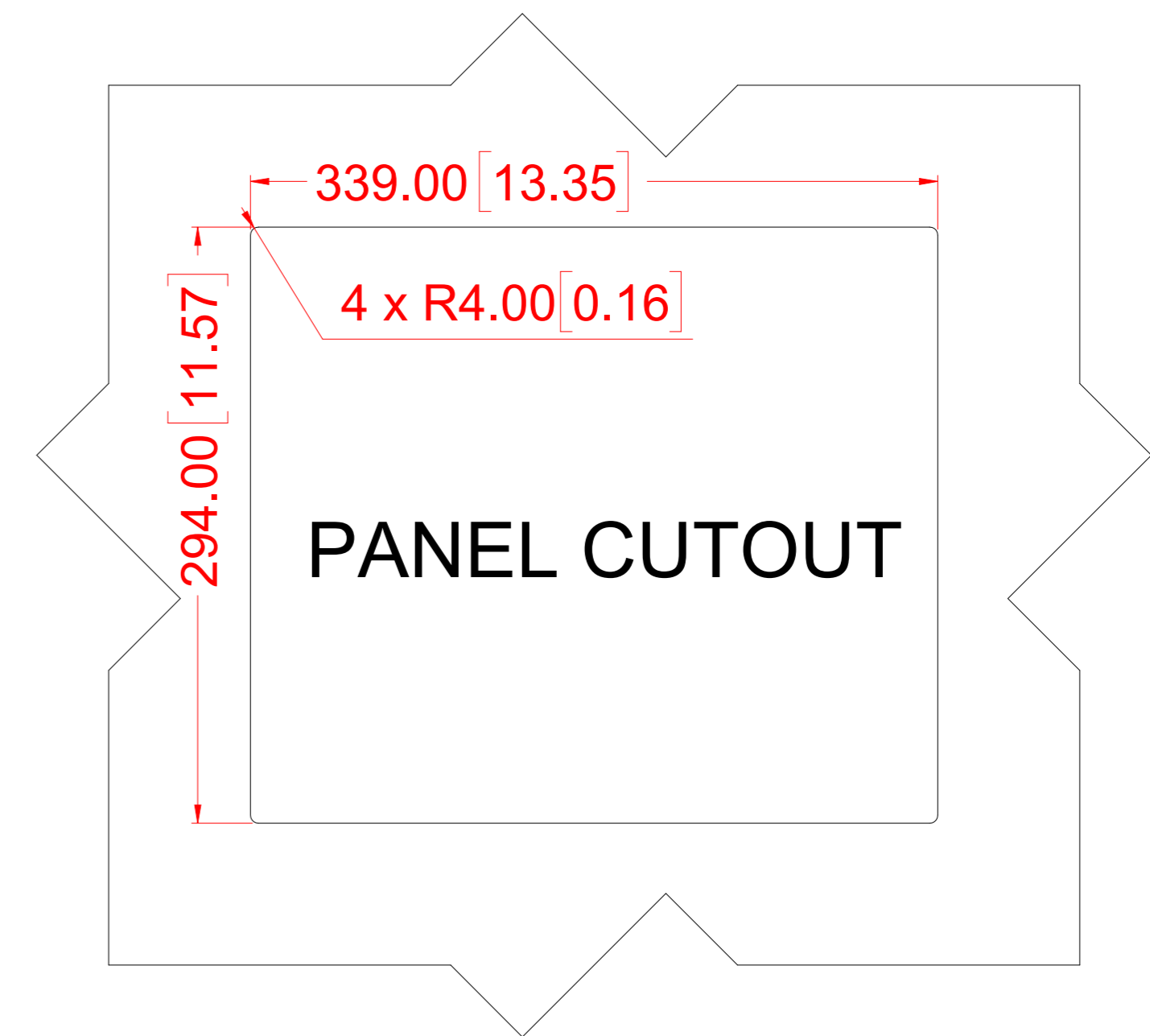


4 x M4 for table brackets.
 Max depth 6mm.

TOP VIEW



4 x M4 for ceiling brackets.
 Max depth 6mm.



PANEL CUTOUT

Units: mm [inches]

SALES DRAWING HD 15T27 MMD-MA1-FAGA1A

model shown in this drawing, but measurements generally apply for all HD 15T27 MMD-xxx-Fxxxxx models

Creation date / by:	19.12.24 / 17322	Projection:	A1	HATTELAND TECHNOLOGY an EMBRON Company
Last rev. date / by:	/		Scale: 1:3	
Hatteland Technology AS Eikeskogvegen 52 N-5570 Akedal			Tolerance ISO 2768-mK	Approved by: Drawing number: A015068