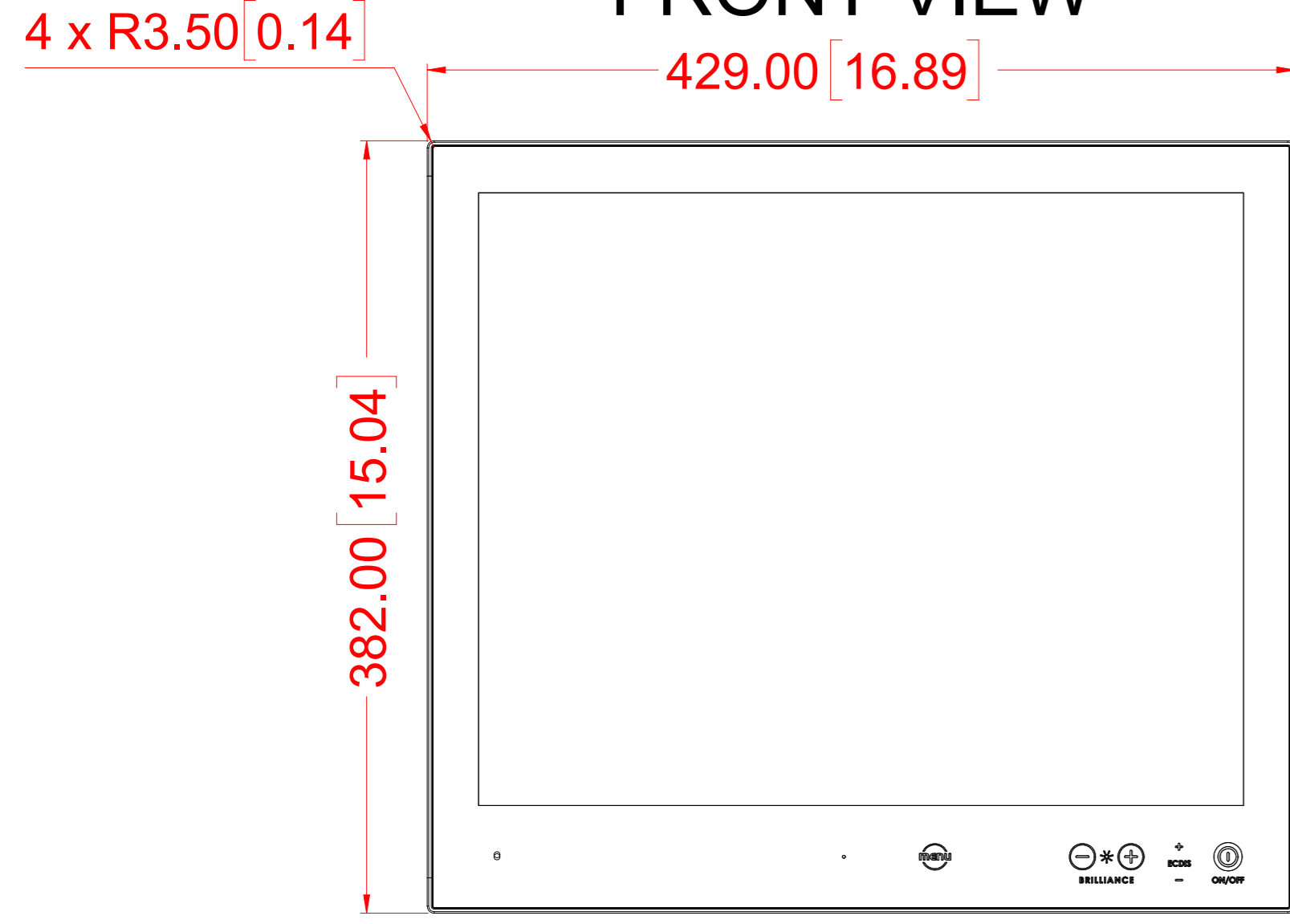
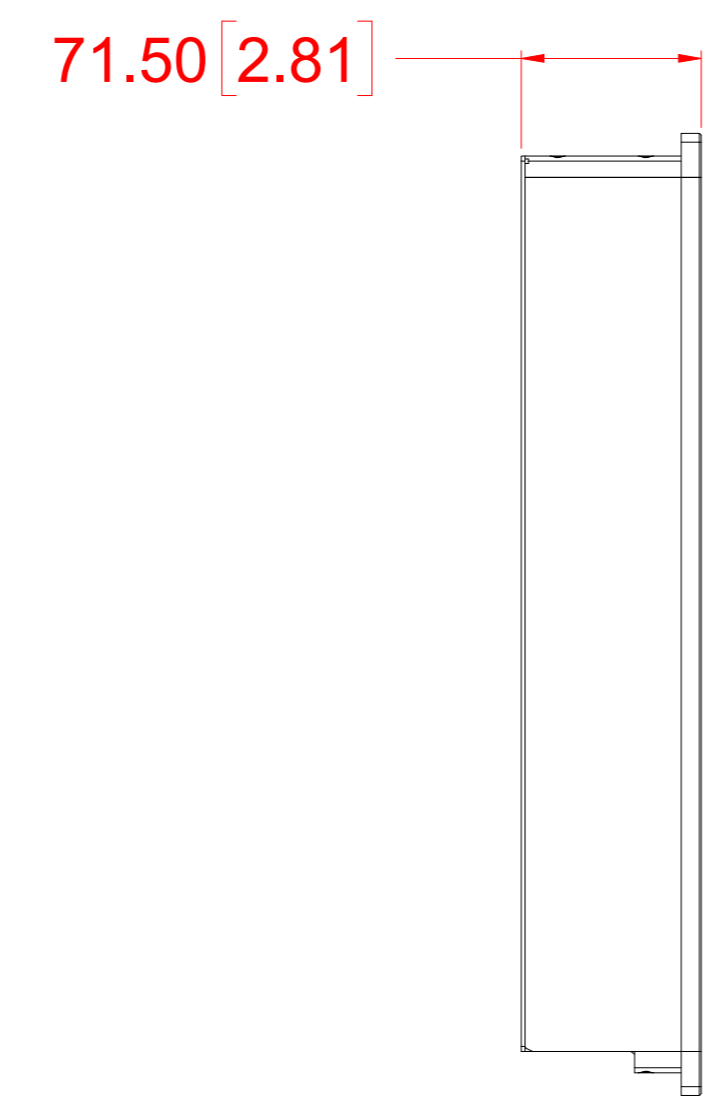


This document is the property of Hatteland Technology AS.  
 This document and any authorized reproduction thereof must not be used in  
 any way against the interest of Hatteland Technology AS.  
 Any authorized reproduction, in whole or in part, must include this legend.

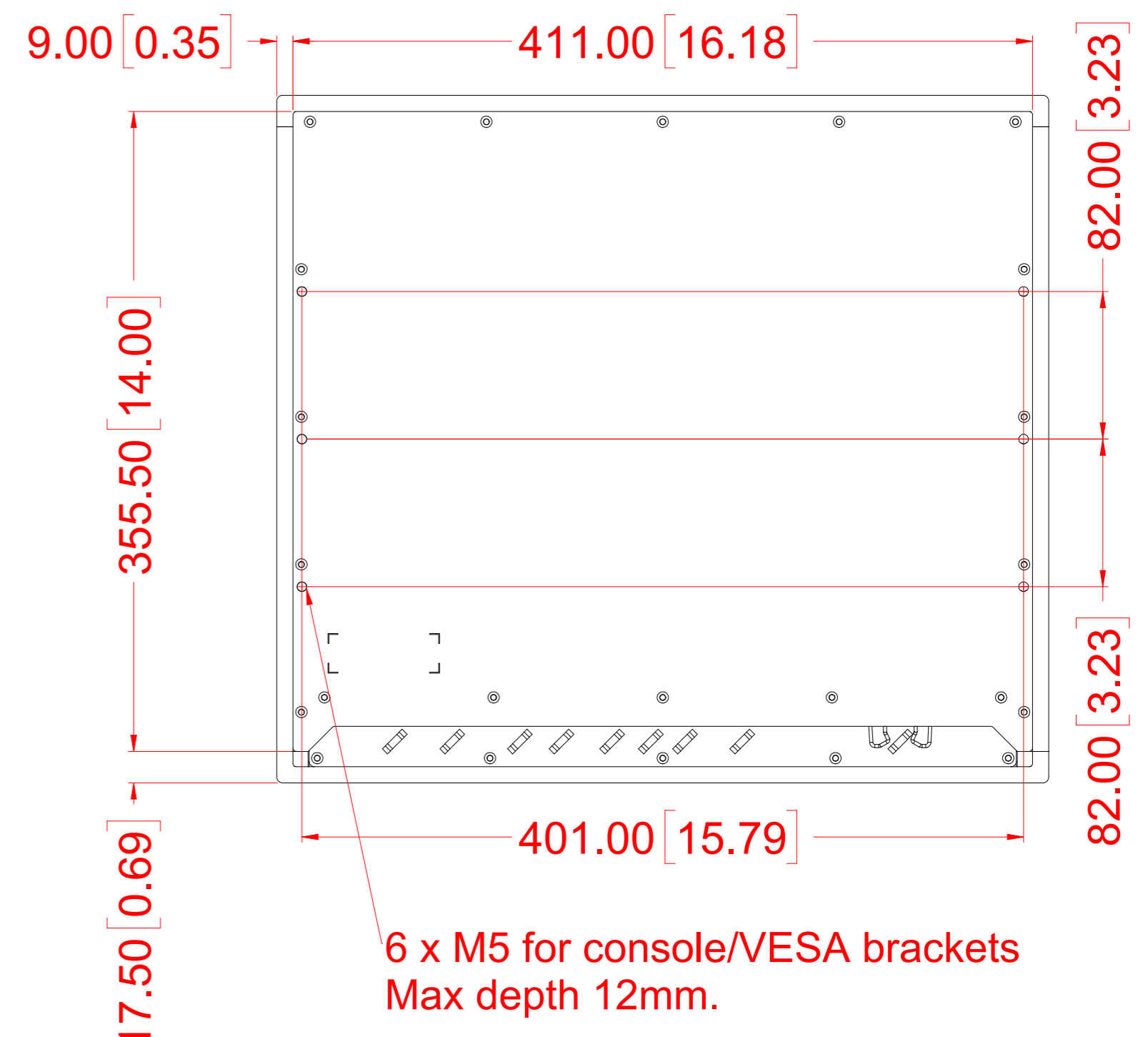
**FRONT VIEW**



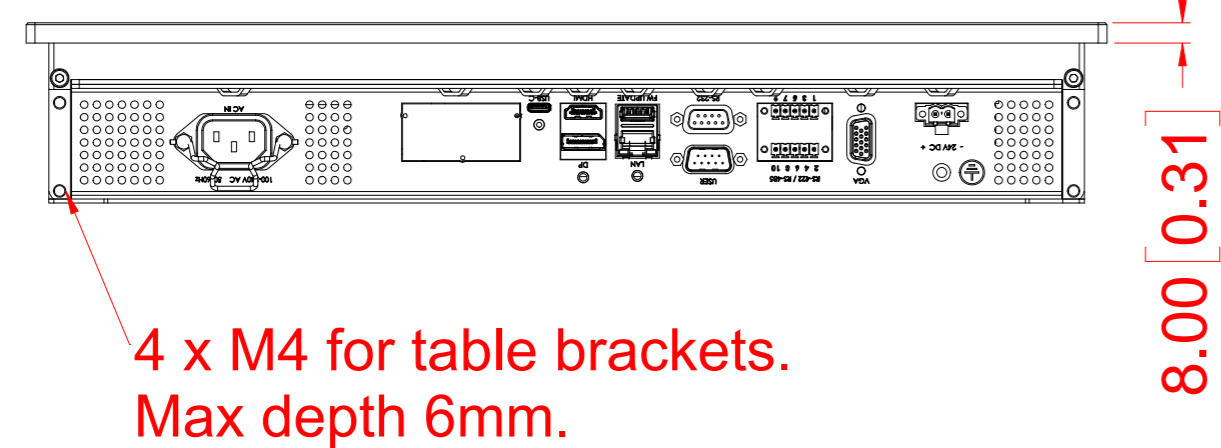
**SIDE VIEW**



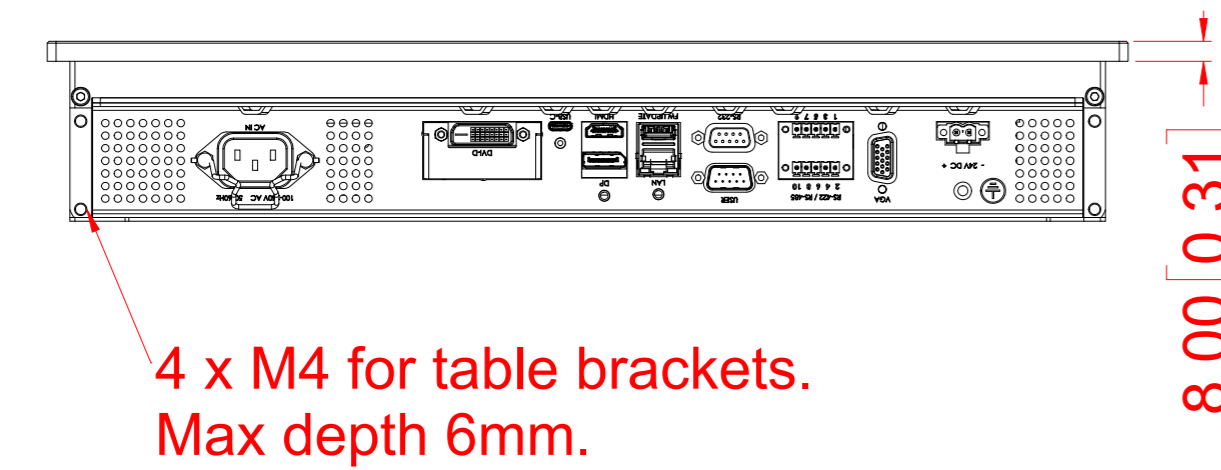
**BACK VIEW**



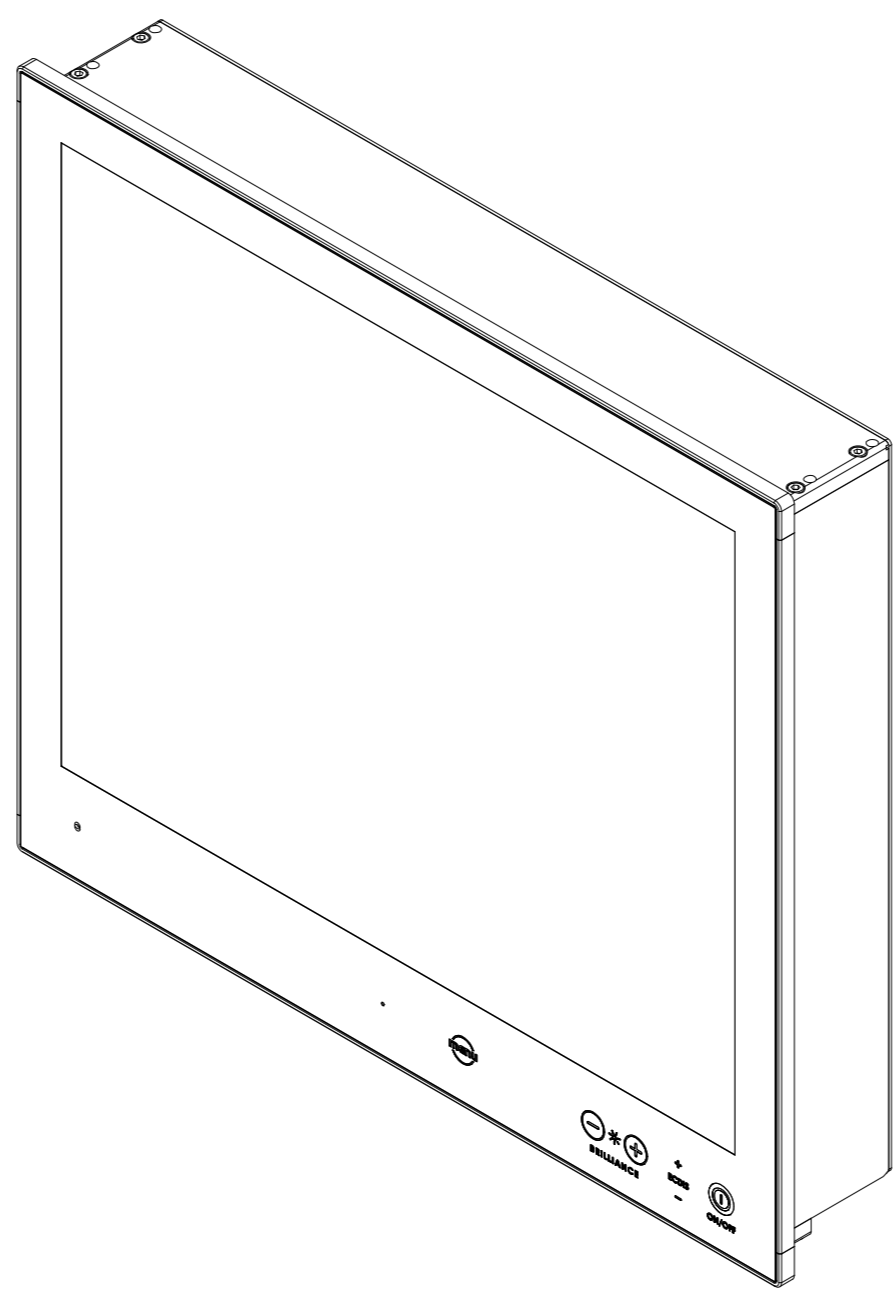
**BOTTOM VIEW (no Extension Board)**



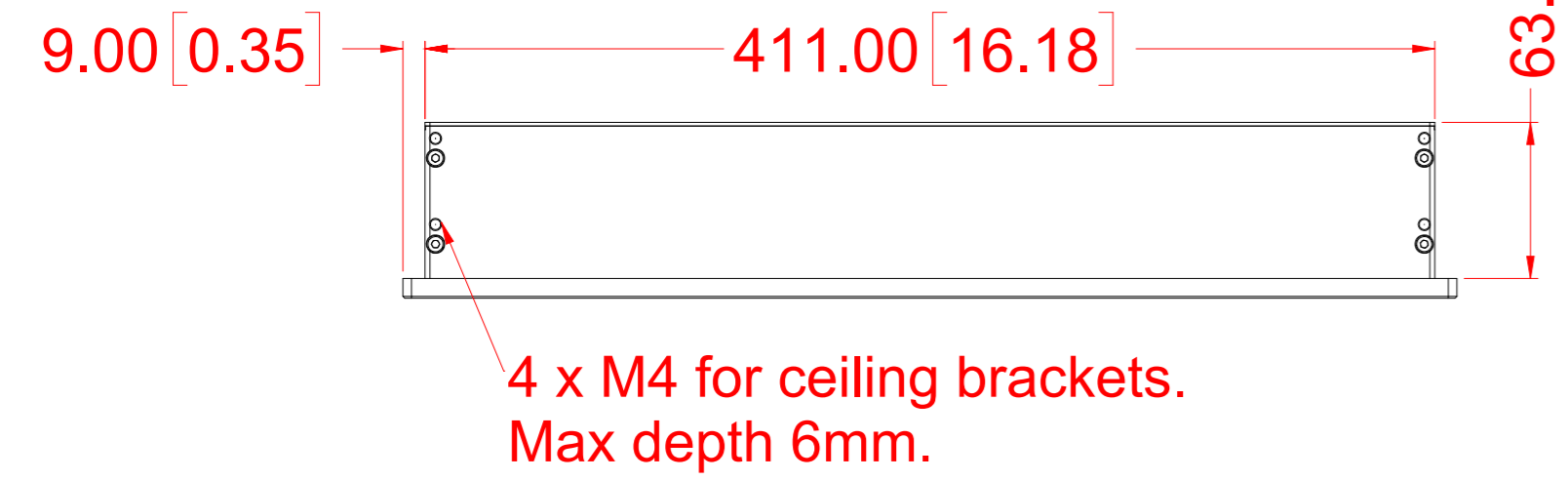
**BOTTOM VIEW (with Extension Board)**



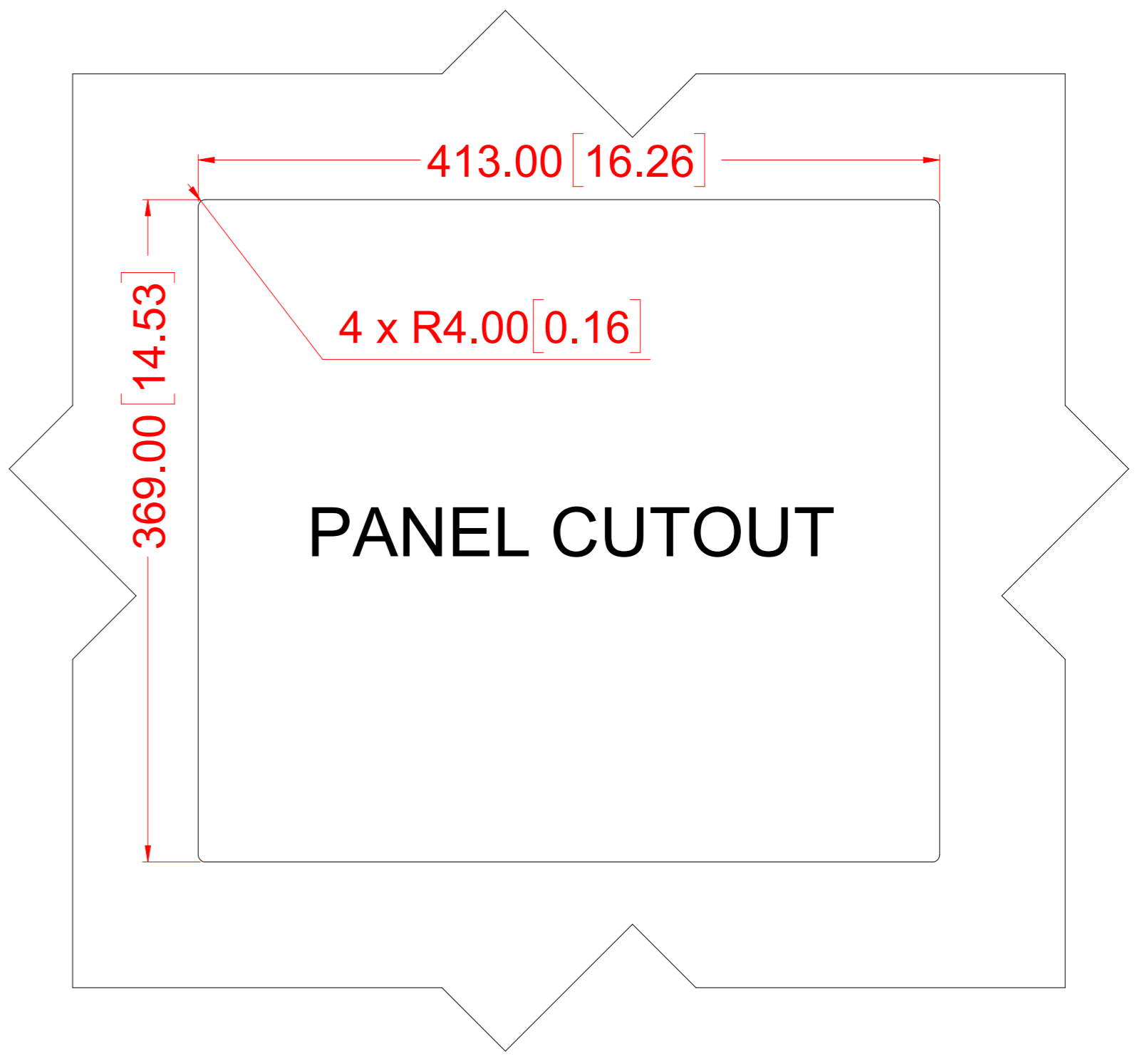
**DIMETRIC VIEW**



**TOP VIEW**



**PANEL CUTOUT**



Units: mm [inches]

**SALES DRAWING HD 19T27 MMD-MA1-FAGA1A**  
 model shown in this drawing, but measurements generally apply for all HD 19T27 MMD-xxx-Fxxxxx models

Creation date / by: 19.12.24 / 17322	Projection:	A1	<b>HATTELAND TECHNOLOGY</b> an EMBRON Company
Last rev. date / by: /		Scale: 1:3	Approved by: _____
Hatteland Technology AS Eikeskogvegen 52 N-5570 Akedal		Tolerance: ISO 2768-mK	Drawing number: A015114