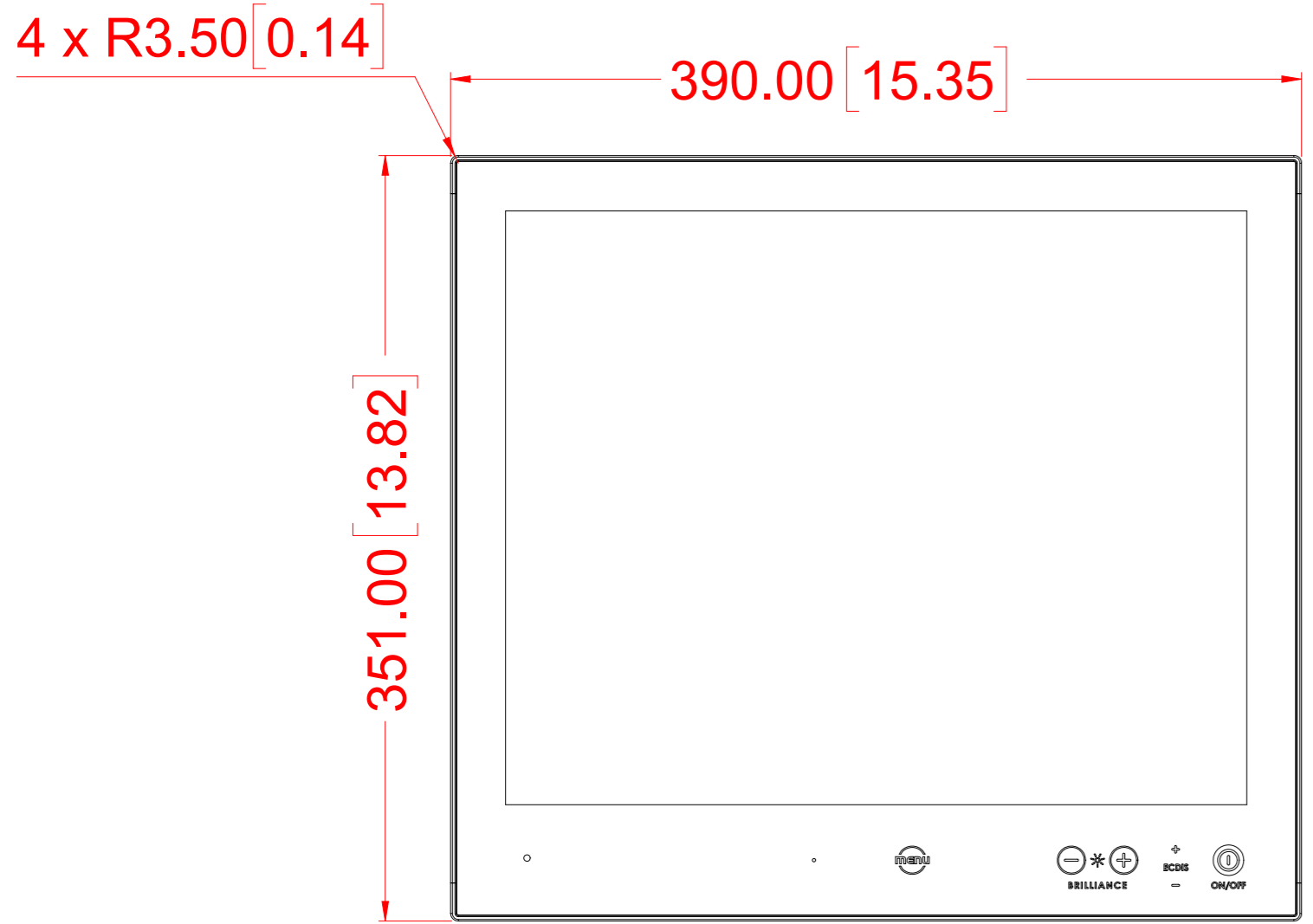
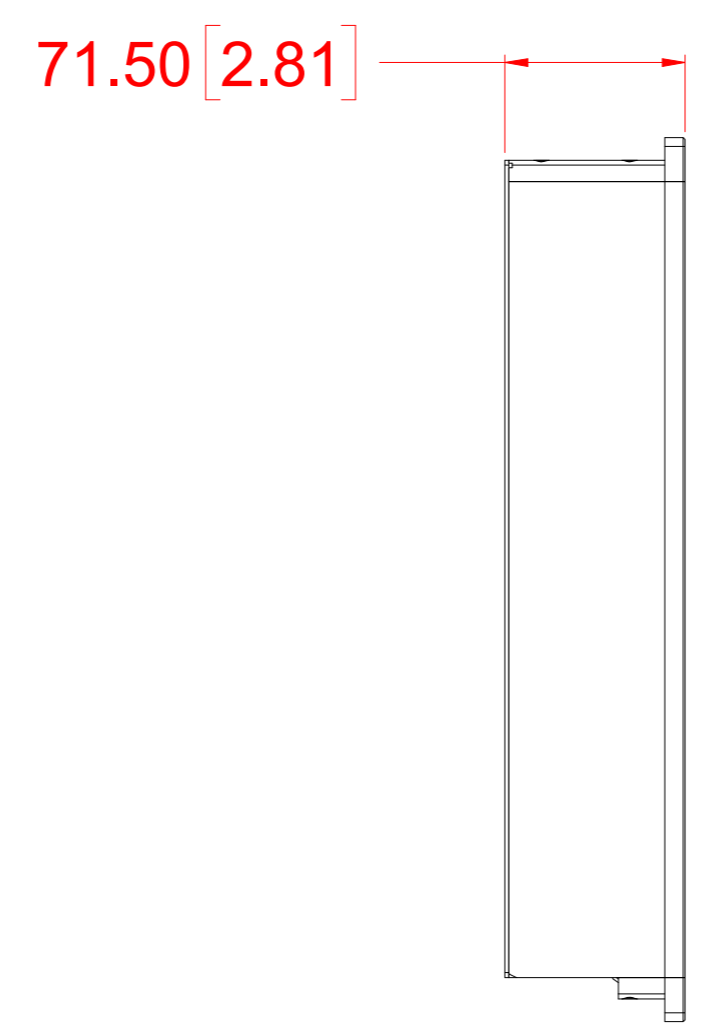


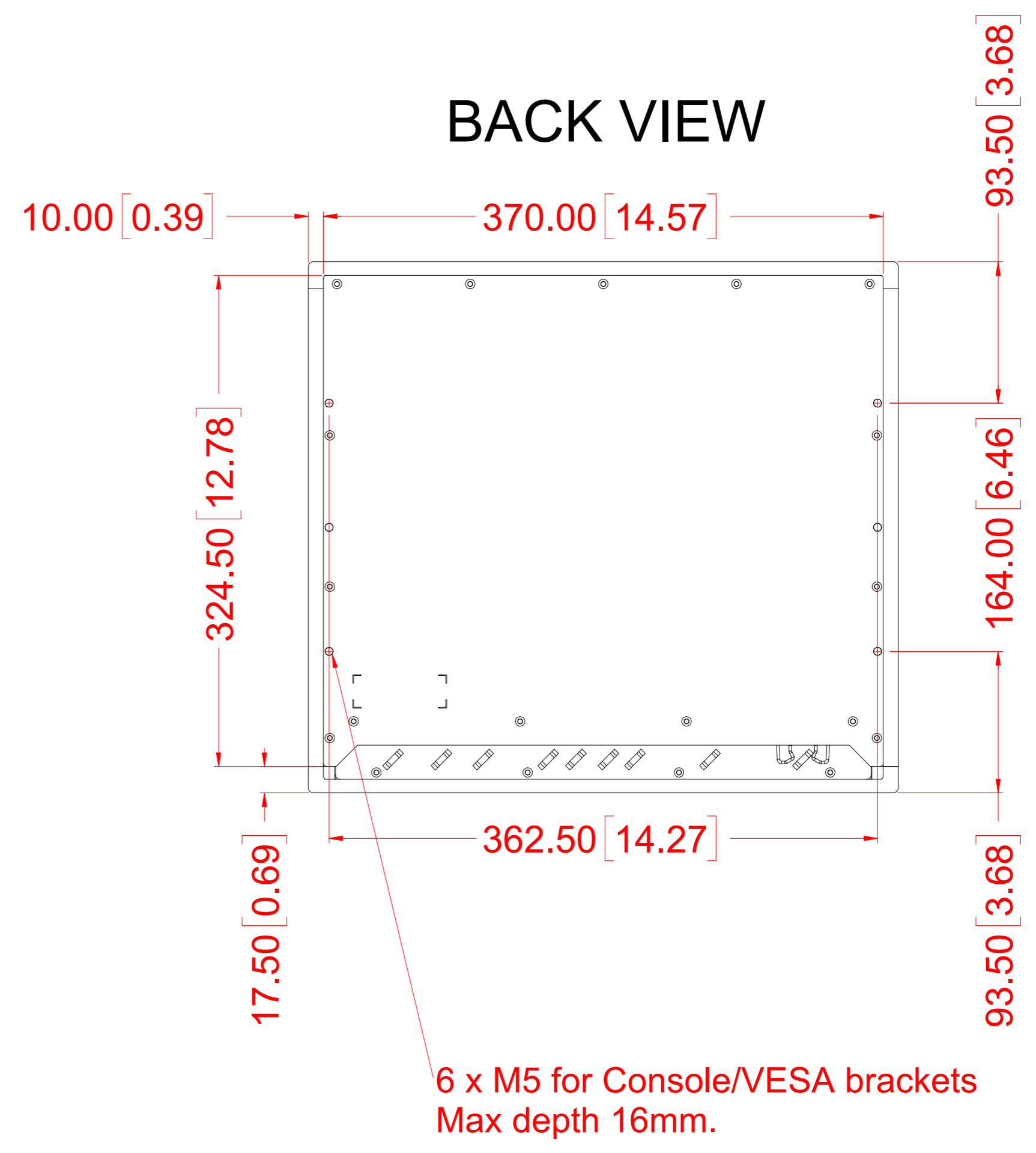
FRONT VIEW



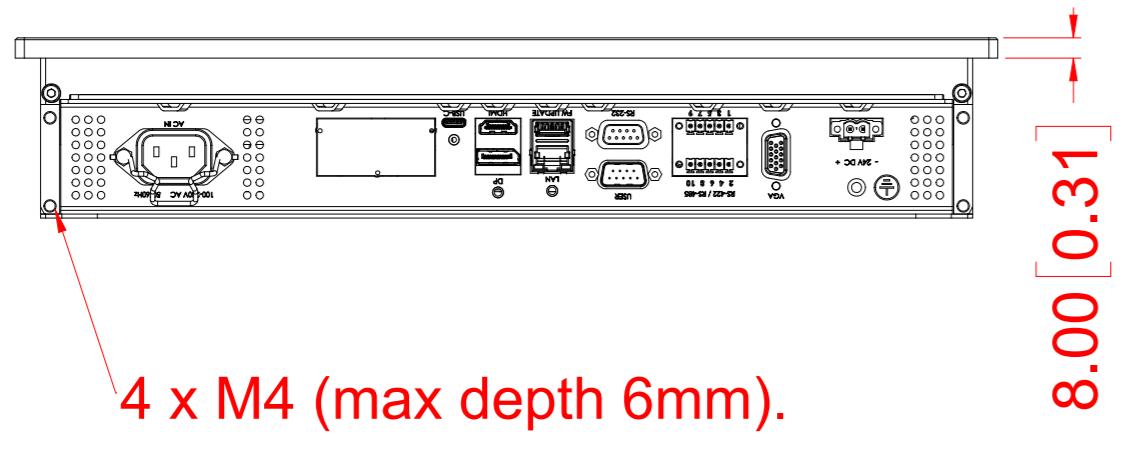
SIDE VIEW



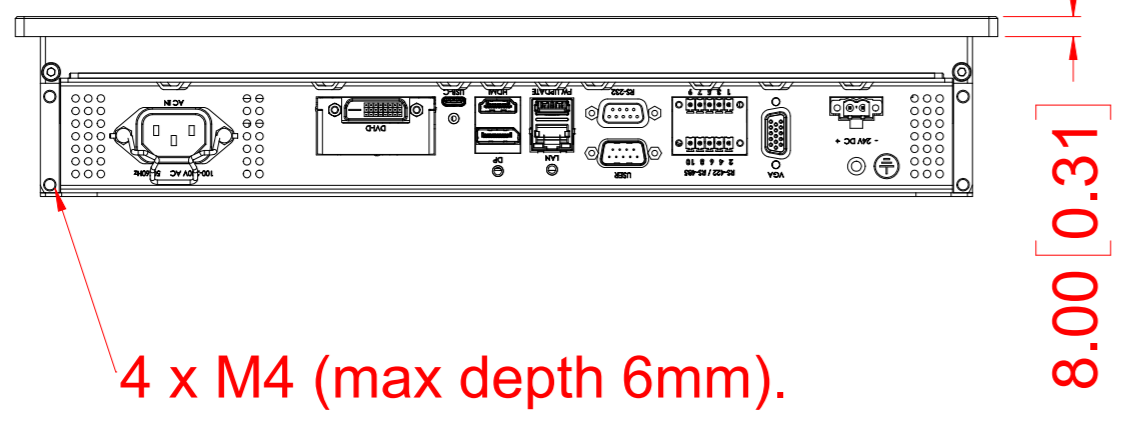
BACK VIEW



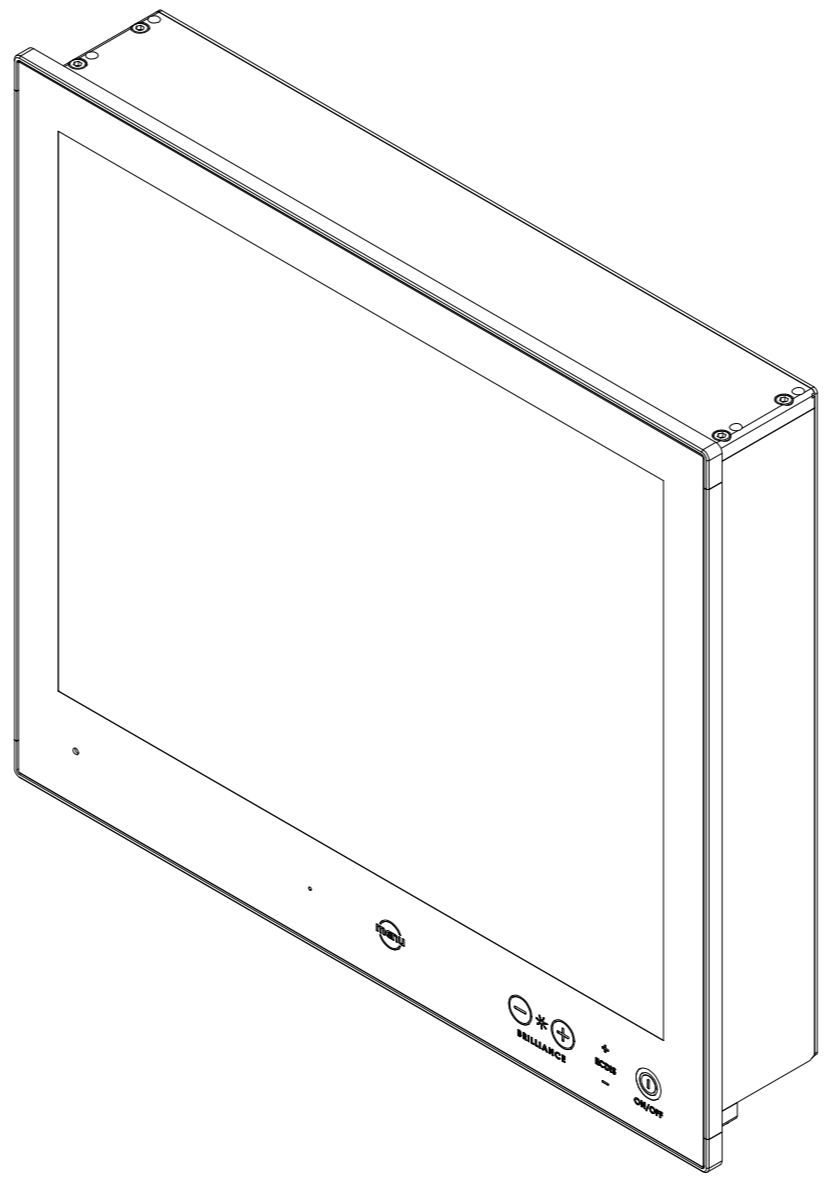
BOTTOM VIEW (no Expansion Board)



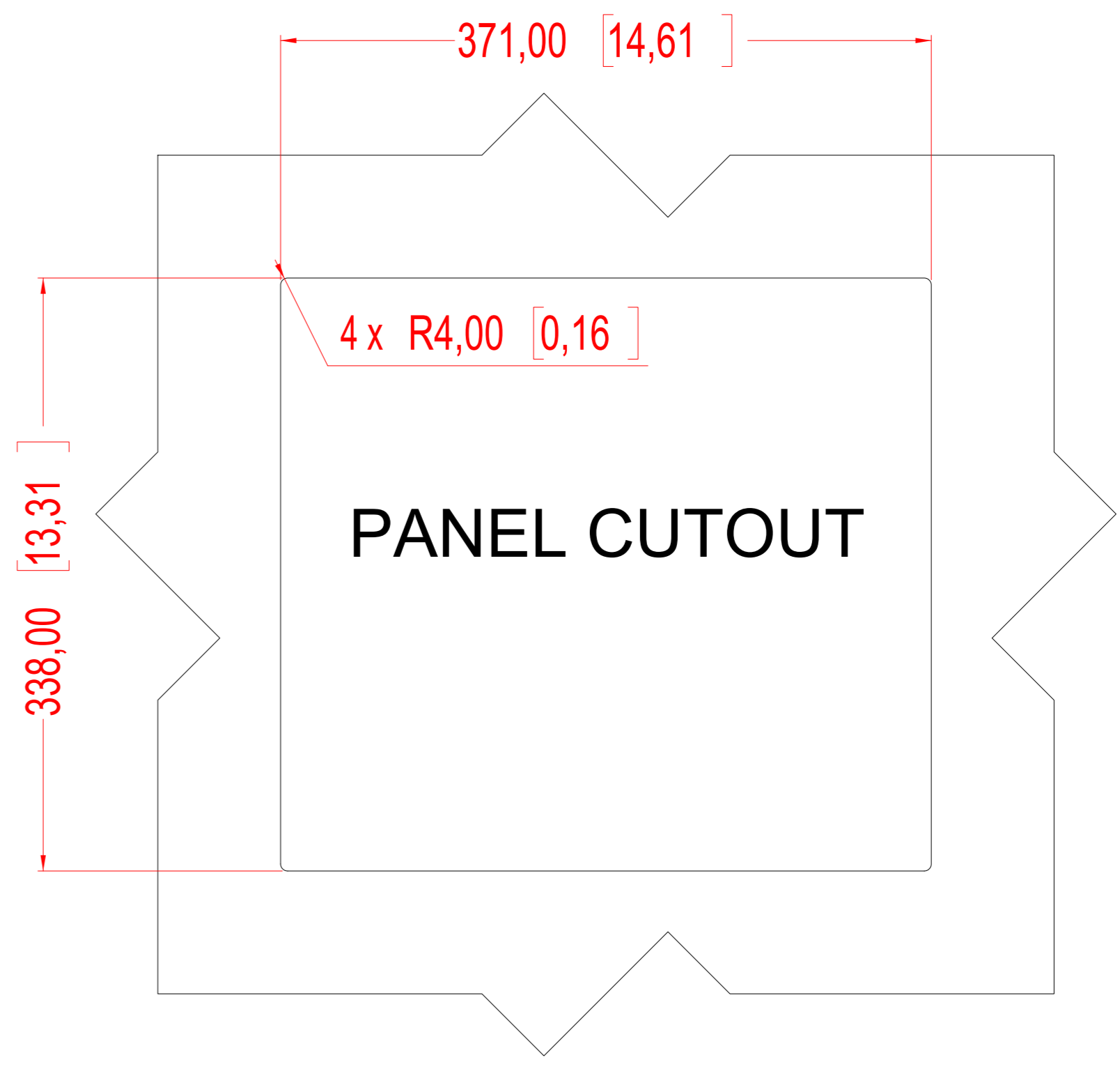
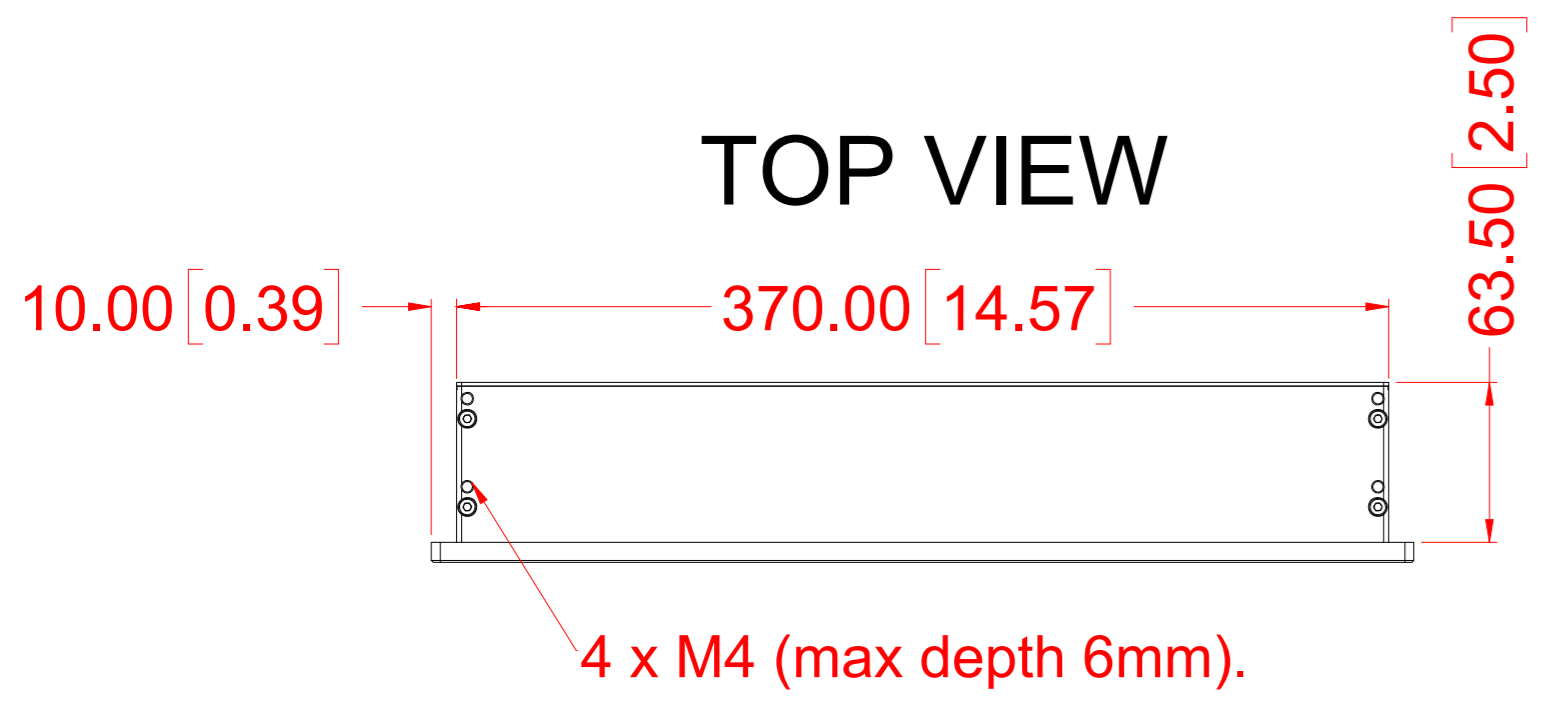
BOTTOM VIEW (with Expansion Board)



DIMETRIC VIEW



TOP VIEW



Units: mm [inches]

SALES DRAWING HD 17T27 MMD-MA1-FAGA1A
 model shown in this drawing, but measurements generally apply for all HD 17T27 MMD-xxx-Fxxxxx models

Creation date / by: 19.12.24 / 17322	Projection:	A1	HATTELAND TECHNOLOGY an EMBRON Company
Last rev. date / by: /		Scale: 1:3	Approved by: _____
Hatteland Technology AS Eikeskogvegen 52 N-5570 Akedal		Tolerance: ISO 2768-mK	Drawing number: A015145