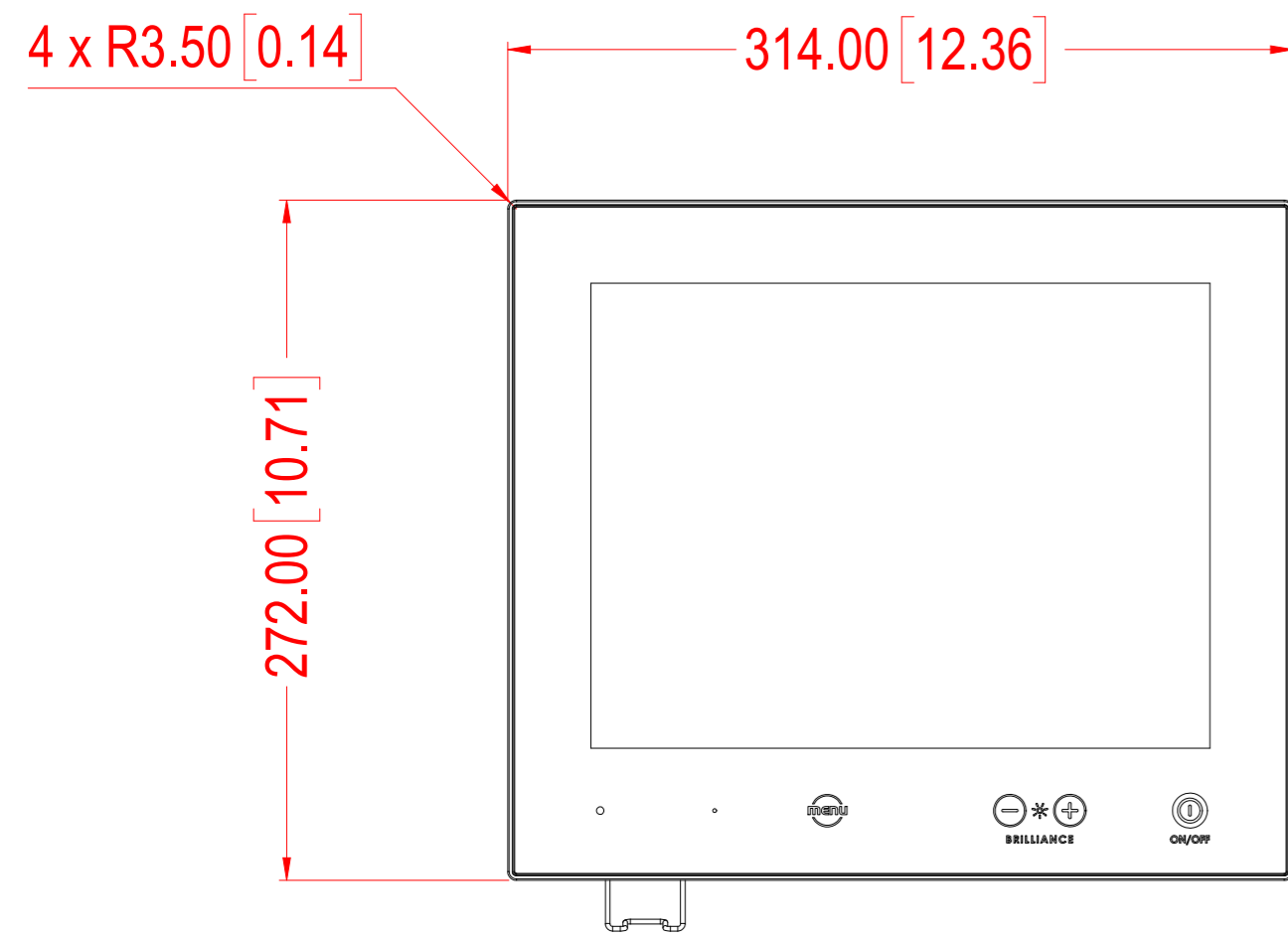
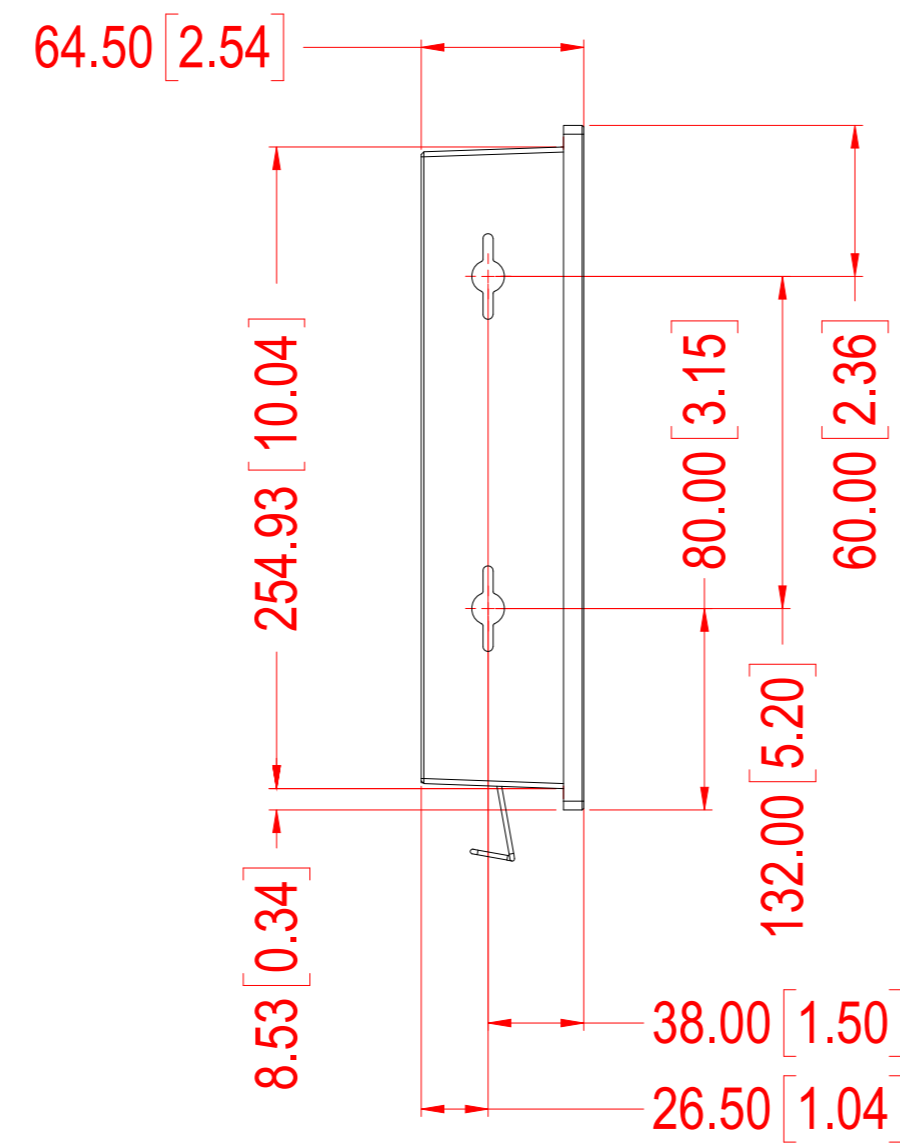


HATTELAND TECHNOLOGY STANDARD		Created by:	Date:	Modified by:	Date:	Revision:
Material type and Quality:		4791	23.03.2012	7201	14.03.2018	2
Surface treatment:						
Aluminum 5052, standard EN 485-2 (1 & 2)	(1) TRIKATION (Zinc/Manganese Phosphatizing)					
Ss-37 Alu/Zinc, standard EN 10215 (1)	(2) Powder coating RAL 9011 EPOXY STRUCTUR					
Stainless Steel AISI 316 L, standard EN 404	Du Pont EPOXY 4950227					
Welding specification:	Tolerance:					
NS-EN-288-4	ISO 2768-1 middel					
Sheet metal fasteners:						
PSM International or equivalent (www.psminternational.com)						

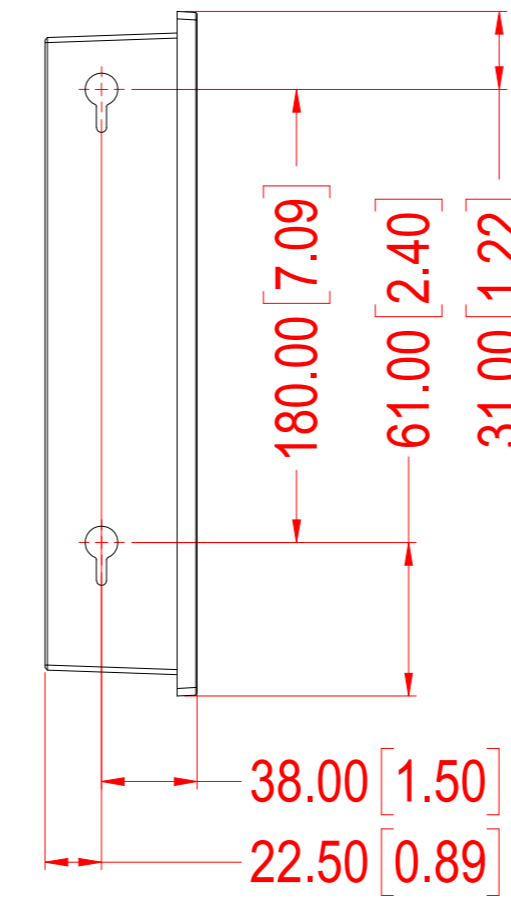
FRONT VIEW



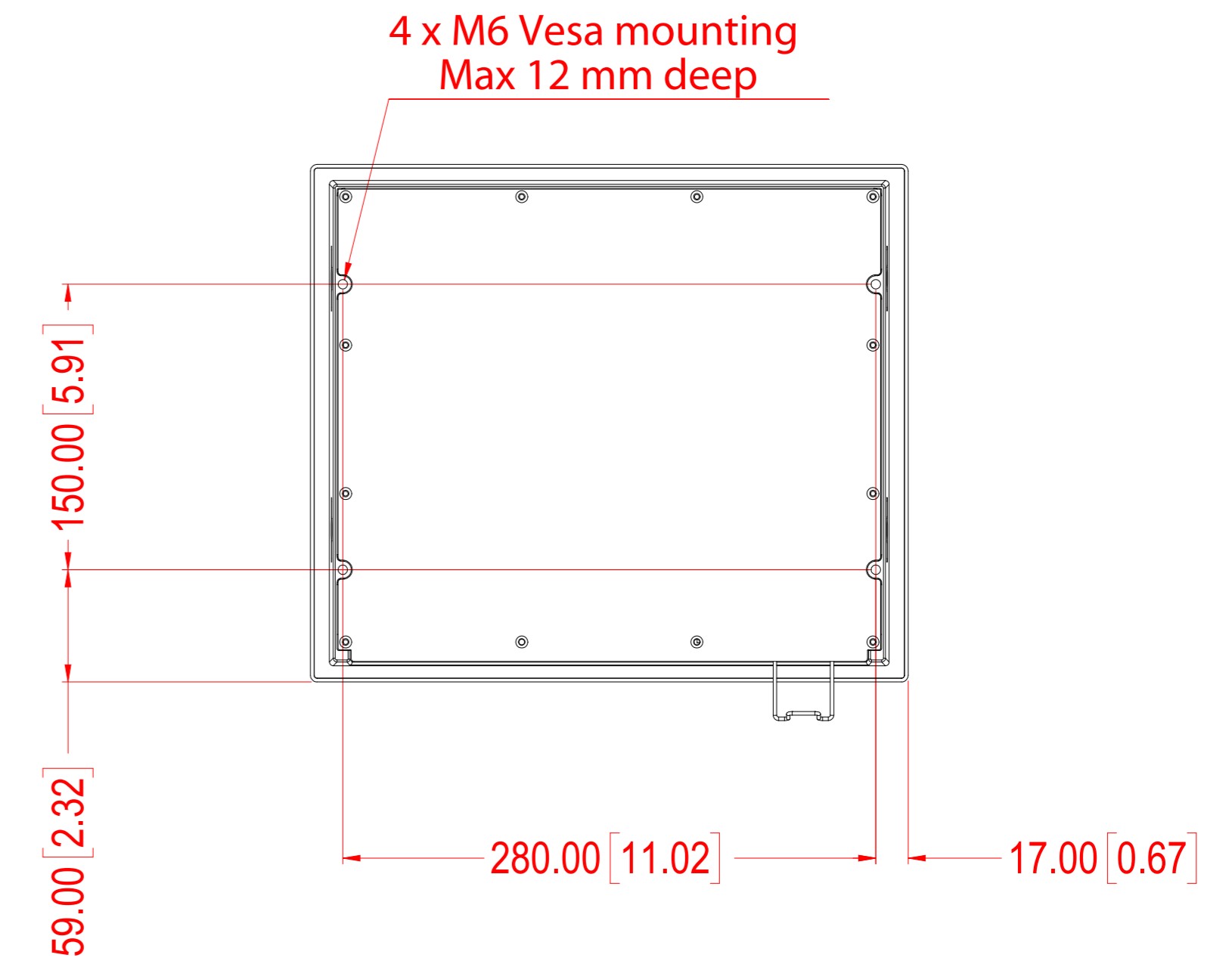
SIDE VIEW Double keyholes



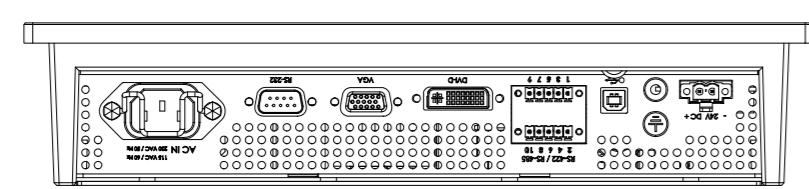
SIDE VIEW Single keyholes



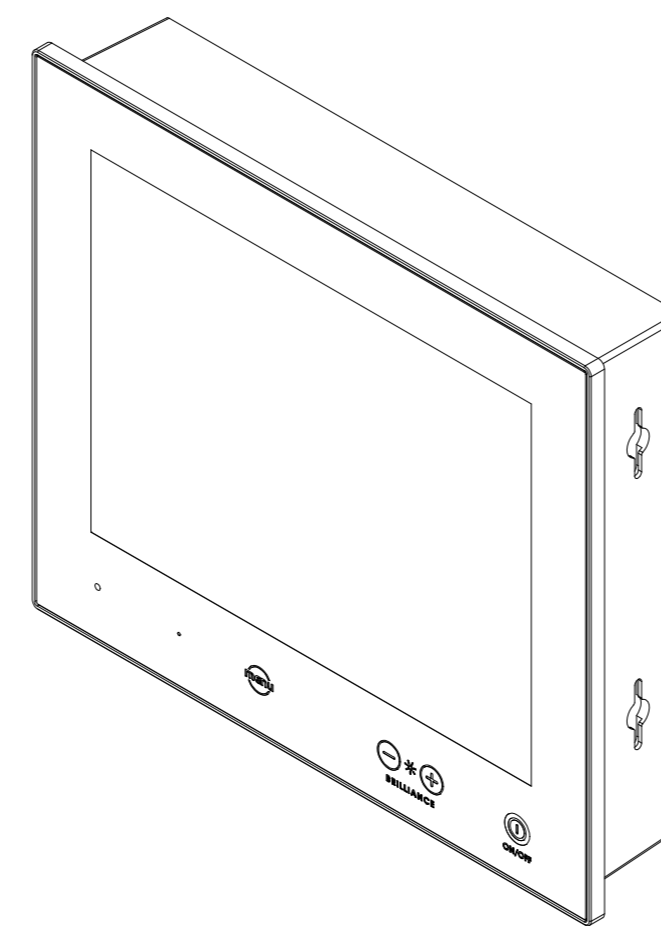
BACK VIEW



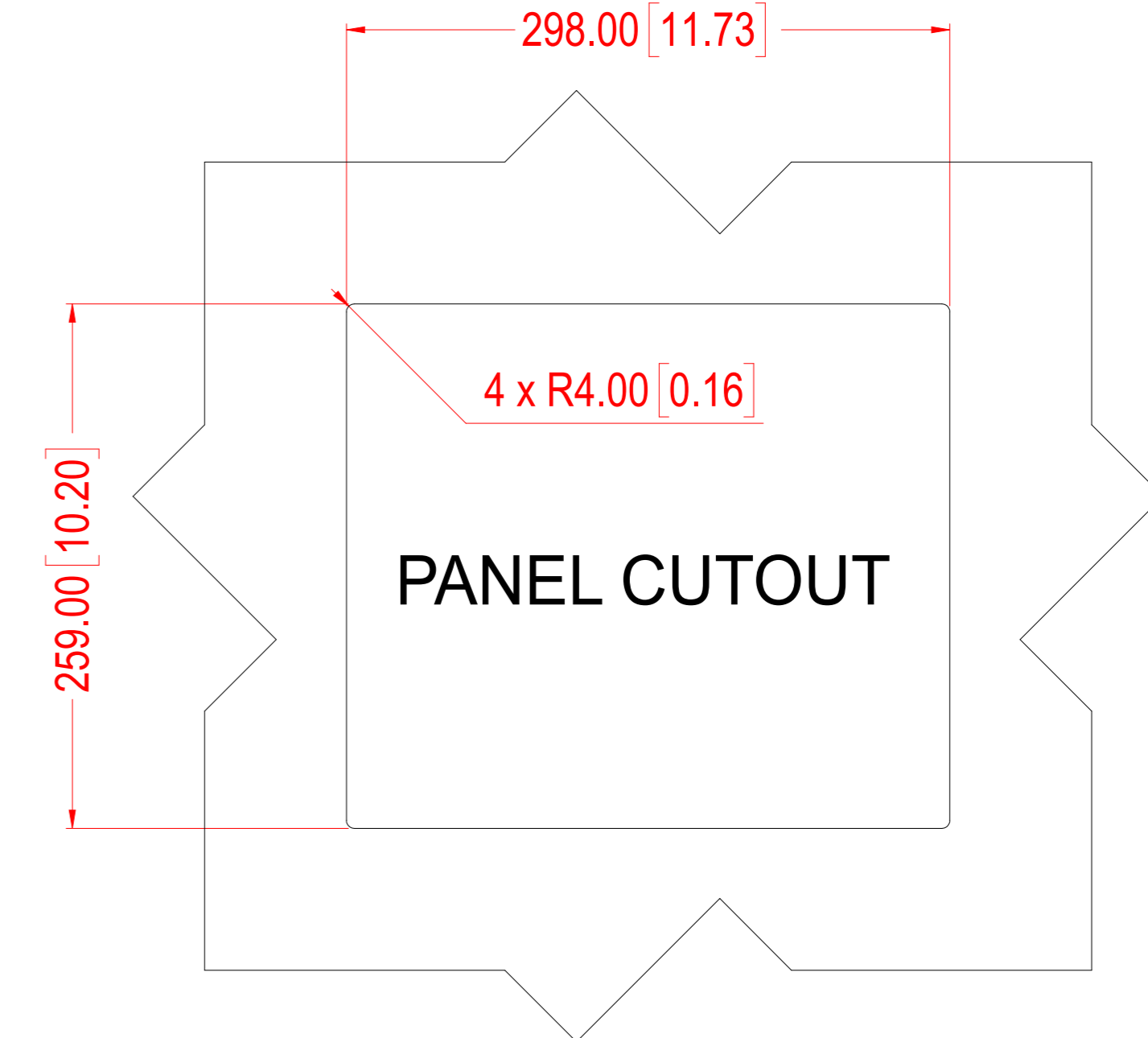
BOTTOM VIEW



DIMETRIC VIEW



TOP VIEW



Units: mm [inches]

SALES DRAWING HD 12T21 STD-MA1-FAGA
model shown in this drawing, but measurements generally apply for all HD 12T21 STD-xxx-Fxxx models

Date:	Mechanical Design	Projection:	A1	HATTELAND TECHNOLOGY an EMBRON Company	
			Scale: 1:3	Colour code:	Approved by:
Hatteland Technology AS			Surface treatment:	Drawing number:	Revision: 1
Eikeskogvegen 52			A002556-1		
N-5570 Akdsdal					