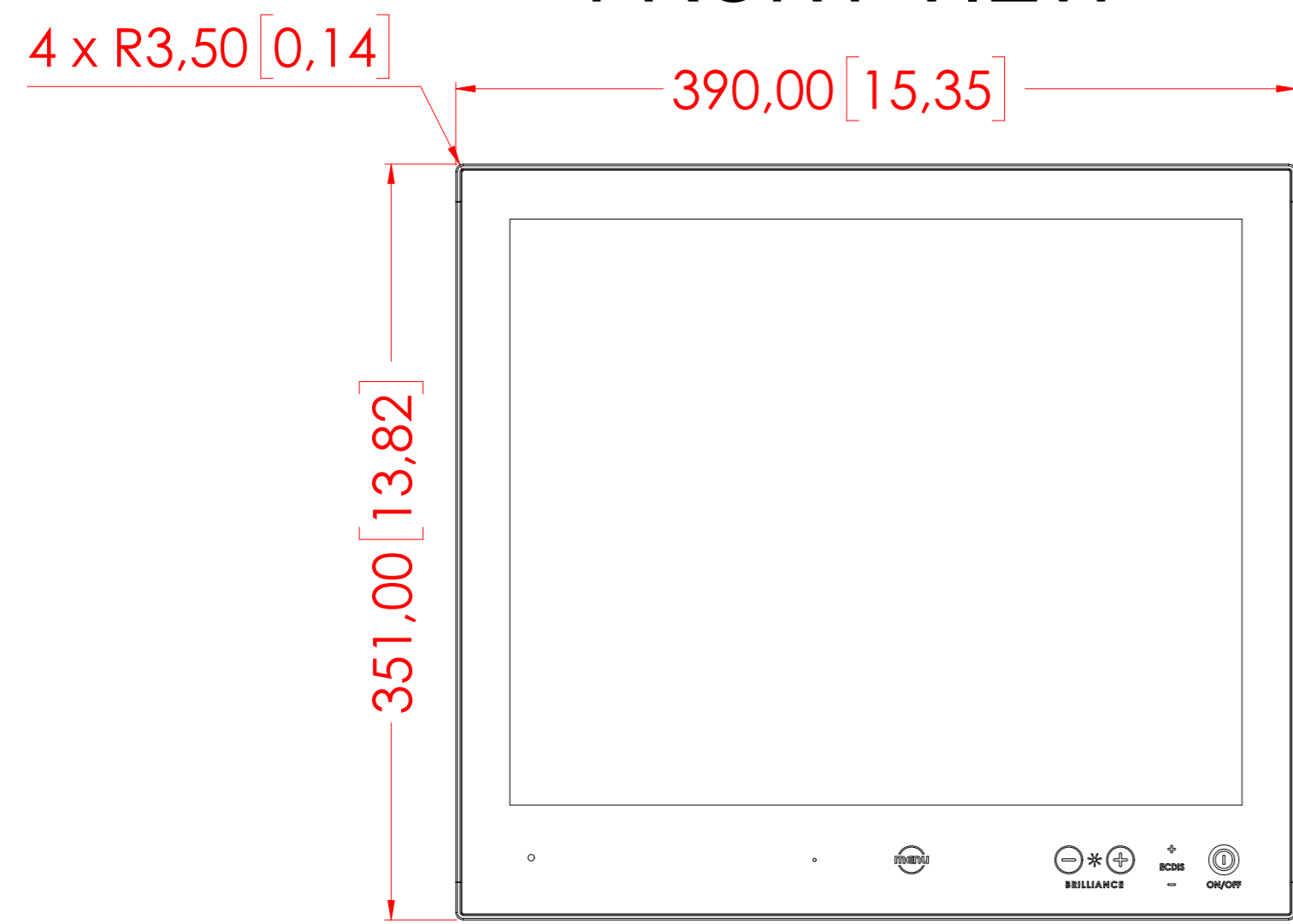
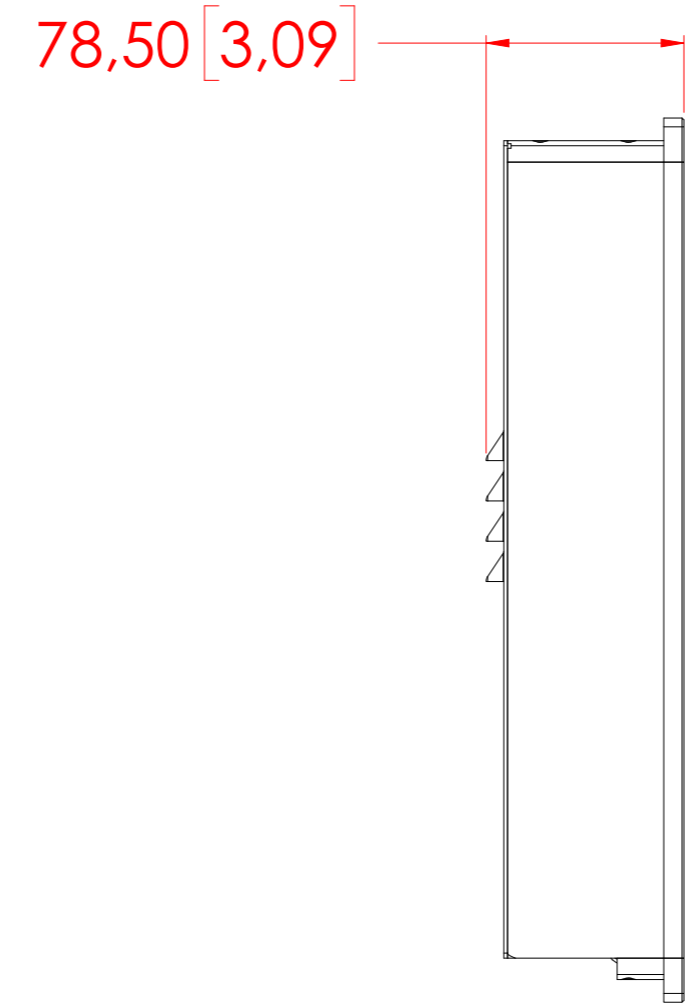


This document is the property of Hatteland Technology AS.
 This document and any authorized reproduction thereof, must not be used in
 any way against the interest of Hatteland Technology AS.
 Any authorized reproduction, in whole or in part, must include this legend.

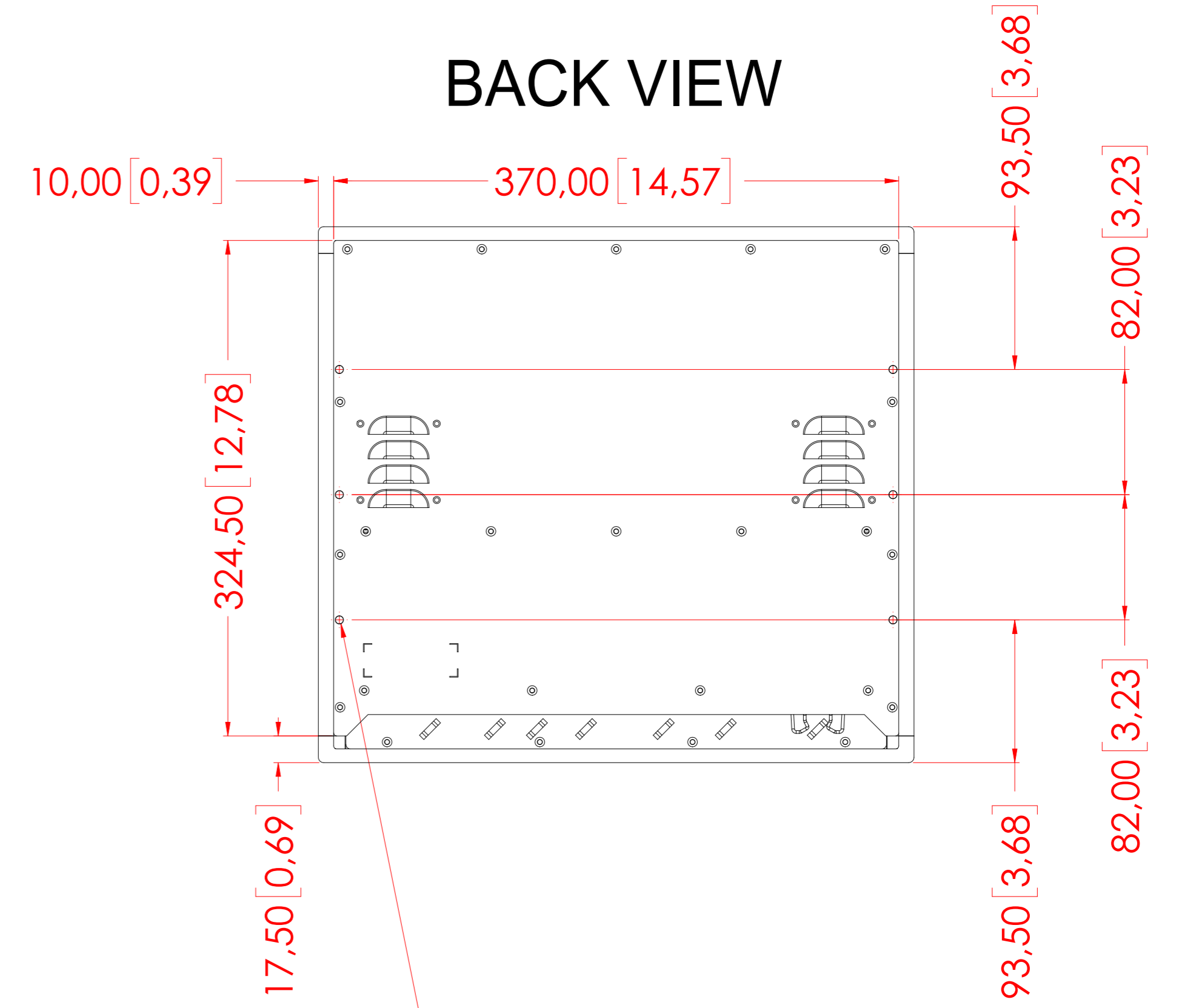
FRONT VIEW



SIDE VIEW

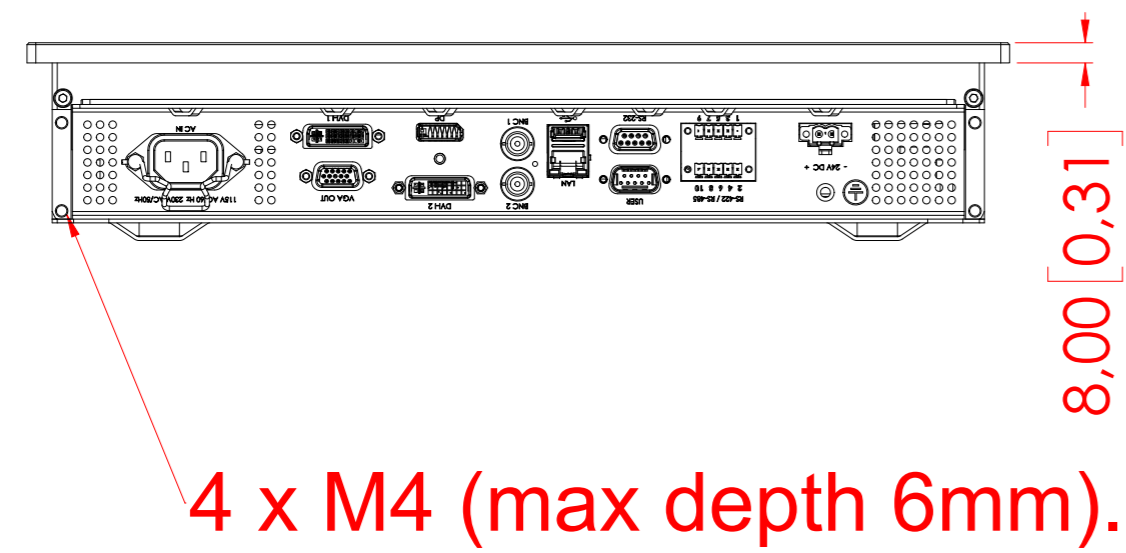


BACK VIEW

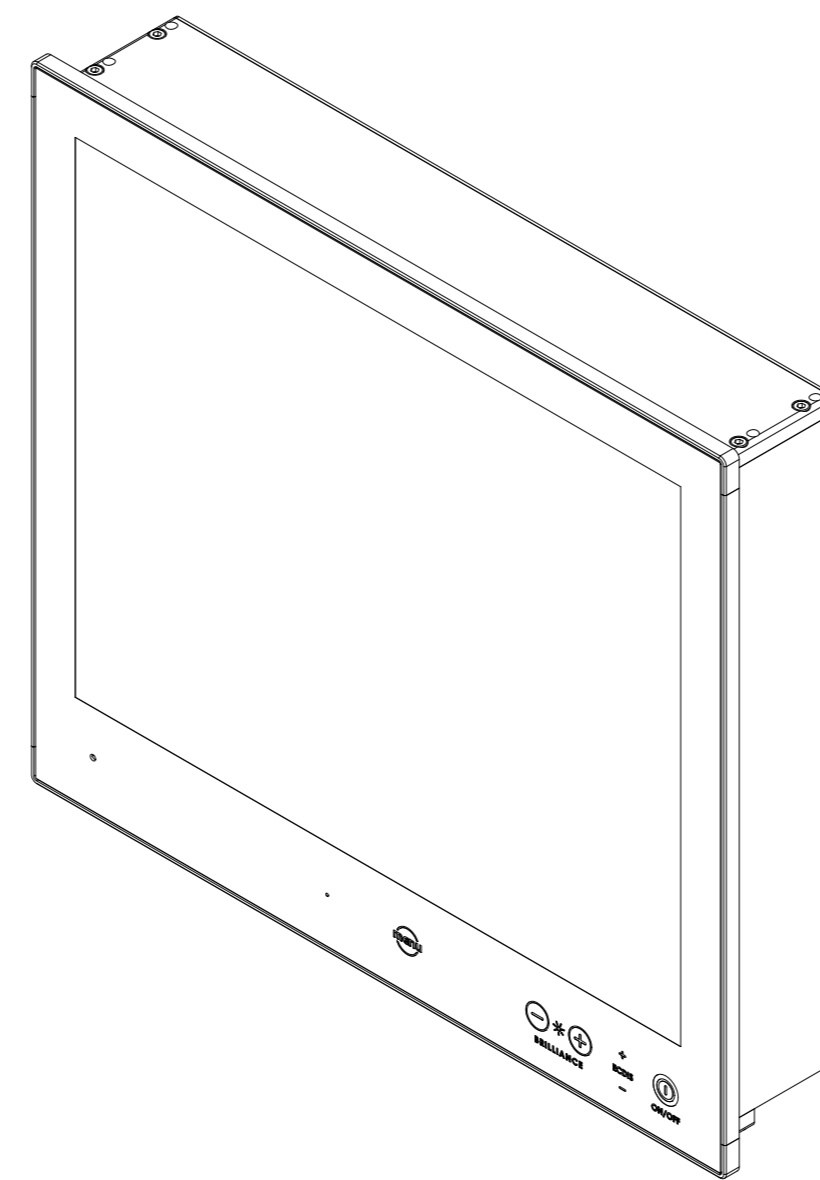


6 x M5 for Console/VESA brackets
 Max depth 16mm.

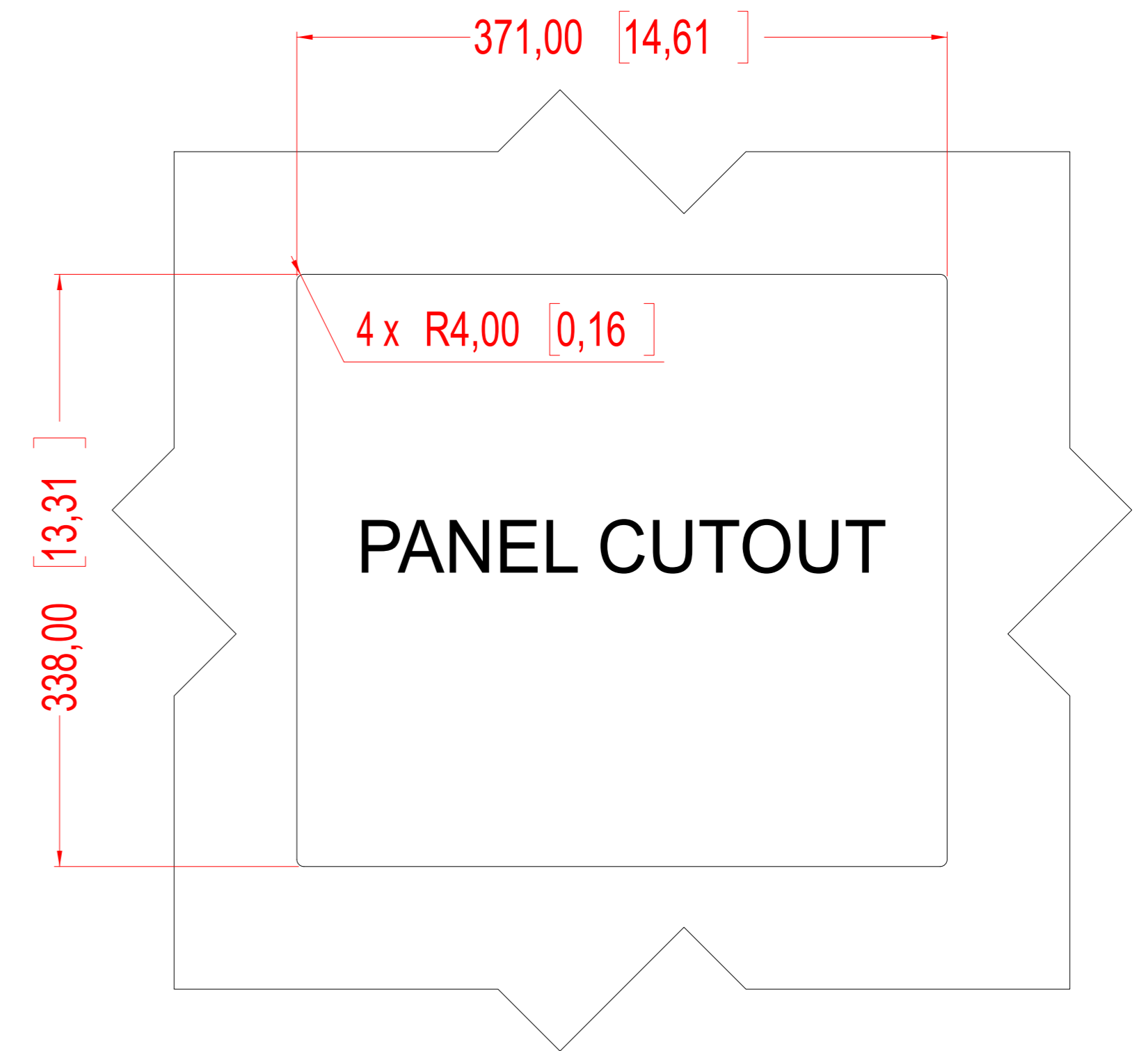
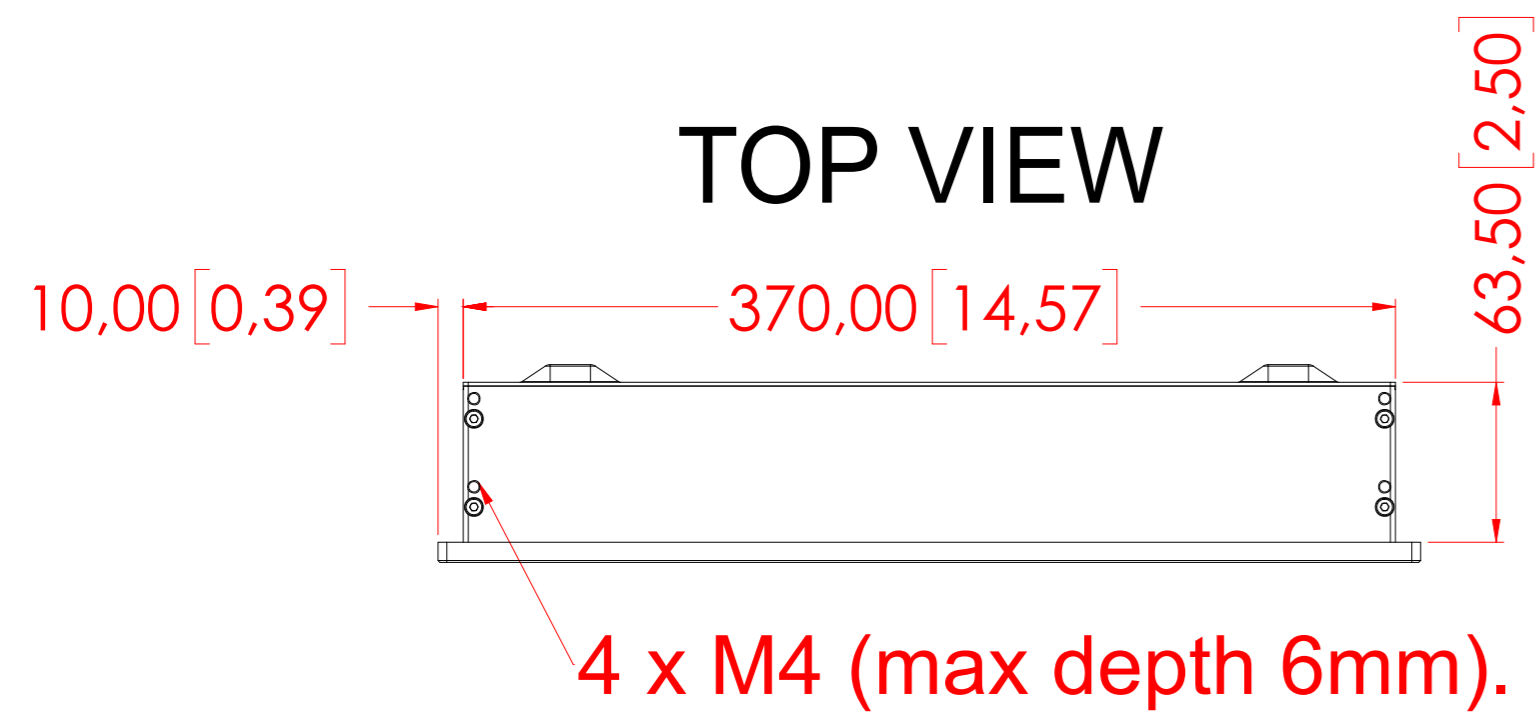
BOTTOM VIEW



DIMETRIC VIEW



TOP VIEW



Units: mm [inches]

SALES DRAWING HD 17T22 MMD-MA1-FHGP
 shown in this drawing, but measurements generally apply for all HD 17T22 MMD-xxx-xHxx High Bright models

Date:	Mechanical Designer:	Projection:	A1	HATTELAND TECHNOLOGY an EMBRON Company
22.06.16	7258		Scale: 1:3	
Hatteland Technology AS Eikeskogvegen 52 N-5570 Aksdal			Colour code:	Approved by:
			Surface treatment:	Drawing number: Based on A010077