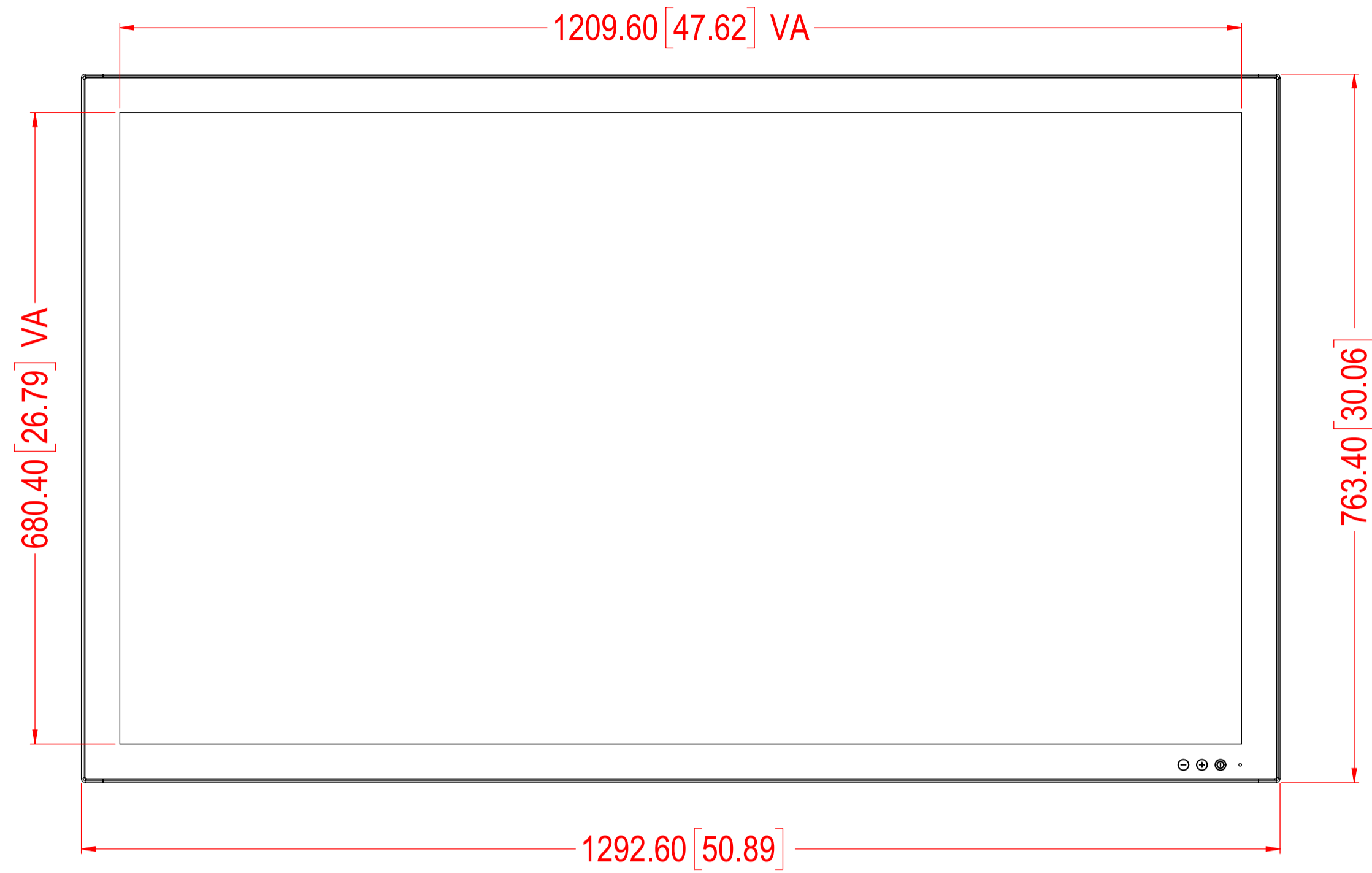
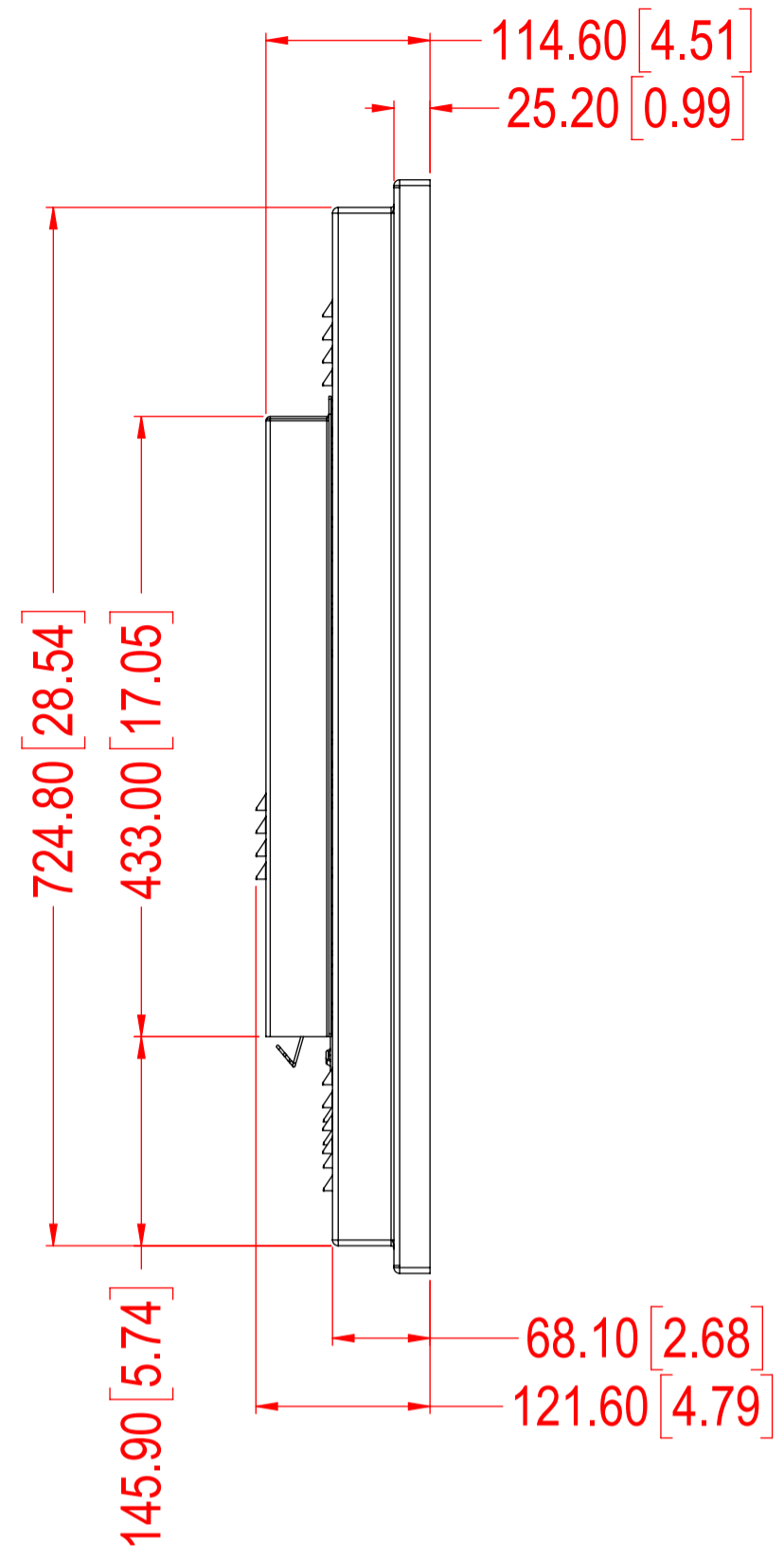


This document is the property of Hatteland Technology AS.
 This document and any authorized reproduction thereof, must not be used in
 any way against the interest of Hatteland Technology AS.
 Any authorized reproduction, in whole or in part, must include this legend.

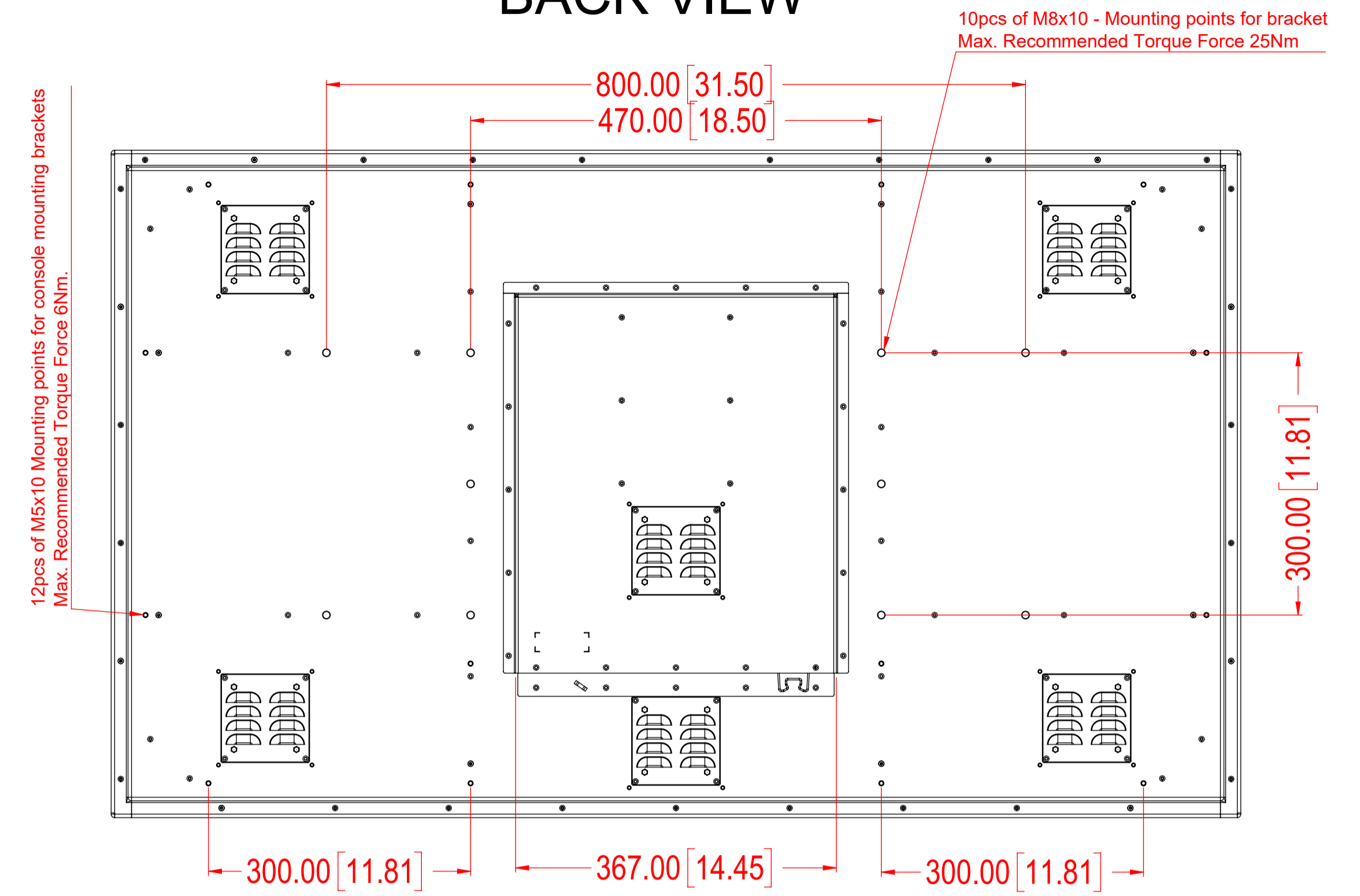
FRONT VIEW



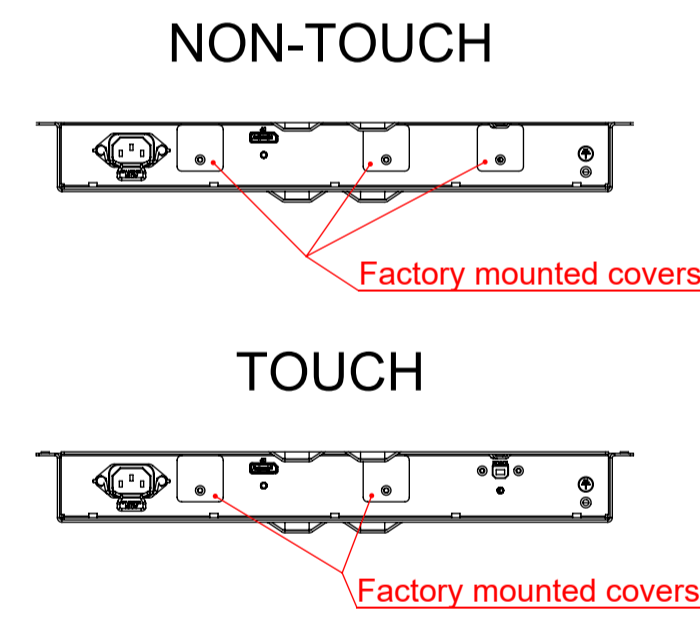
SIDE VIEW



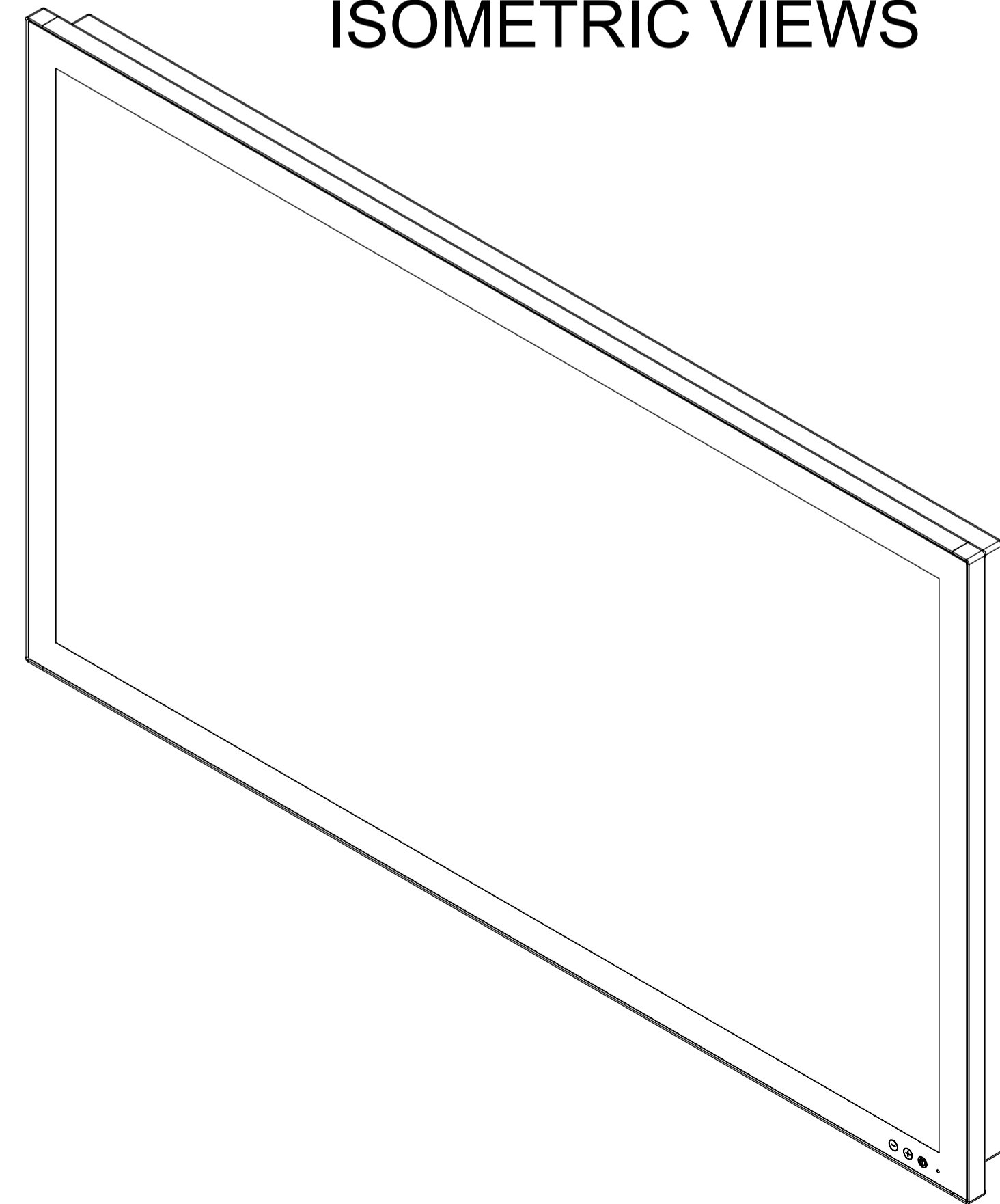
BACK VIEW



↑ INTERFACES AREA



ISOMETRIC VIEWS



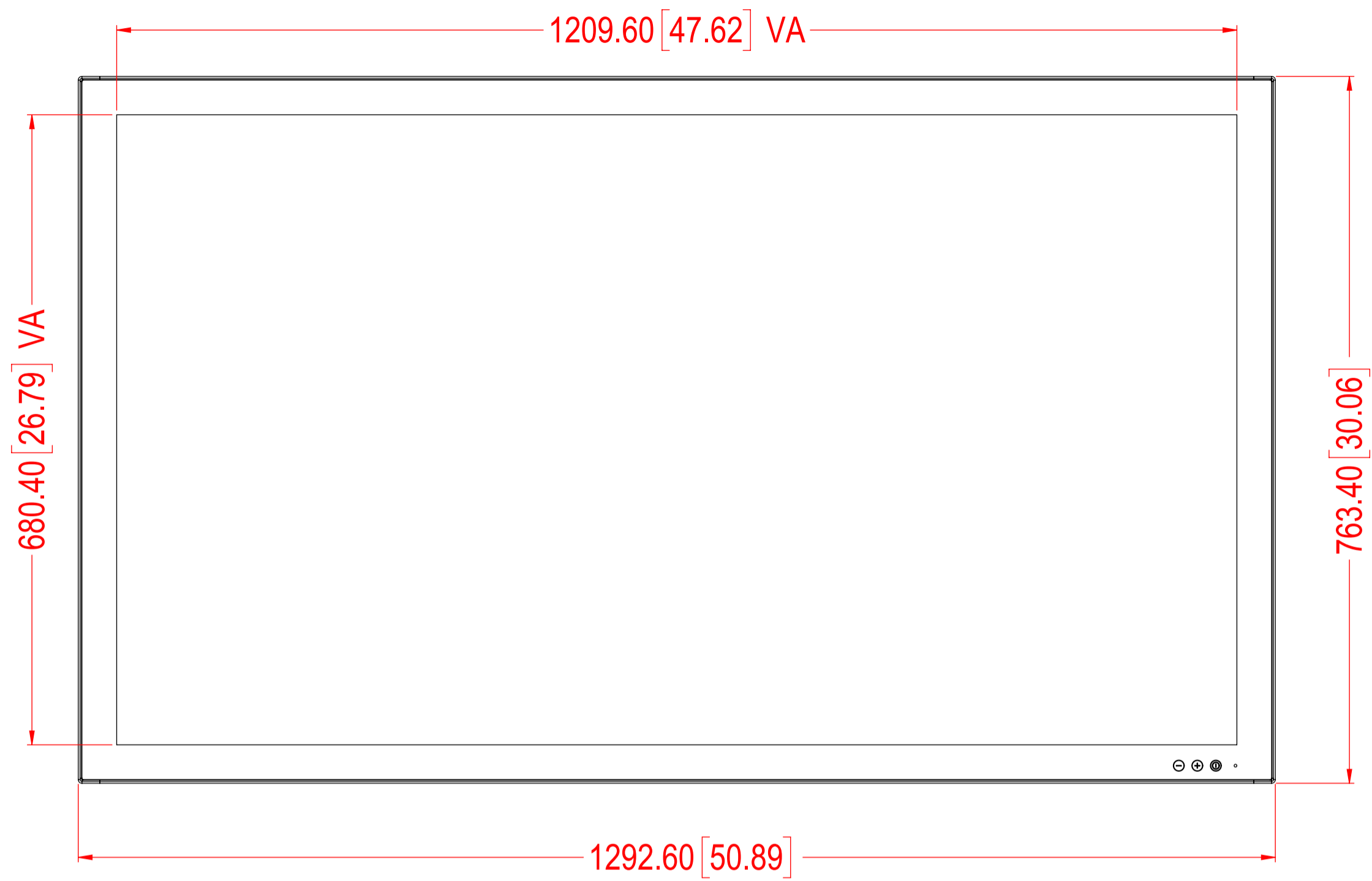
SALES DRAWINGS 55T40 KM Display

Units: mm [inches]

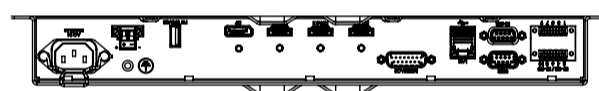
Creation date / by:	03.10.19 / 8744	Projection:	A1	HATTELAND TECHNOLOGY <small>an EMBRON Company</small>	
Last rev. date / by:	/		Scale: 1:5	Tolerance	Approved by: / Revision: 01
Hatteland Technology AS Eikeskogvegen 52 N-5570 Akksdal			ISO 2768-mK	Drawing number: A012950	

This document is the property of Hatteland Technology AS.
 This document and any authorized reproduction thereof, must not be used in
 any way against the interest of Hatteland Technology AS.
 Any authorized reproduction, in whole or in part, must include this legend.

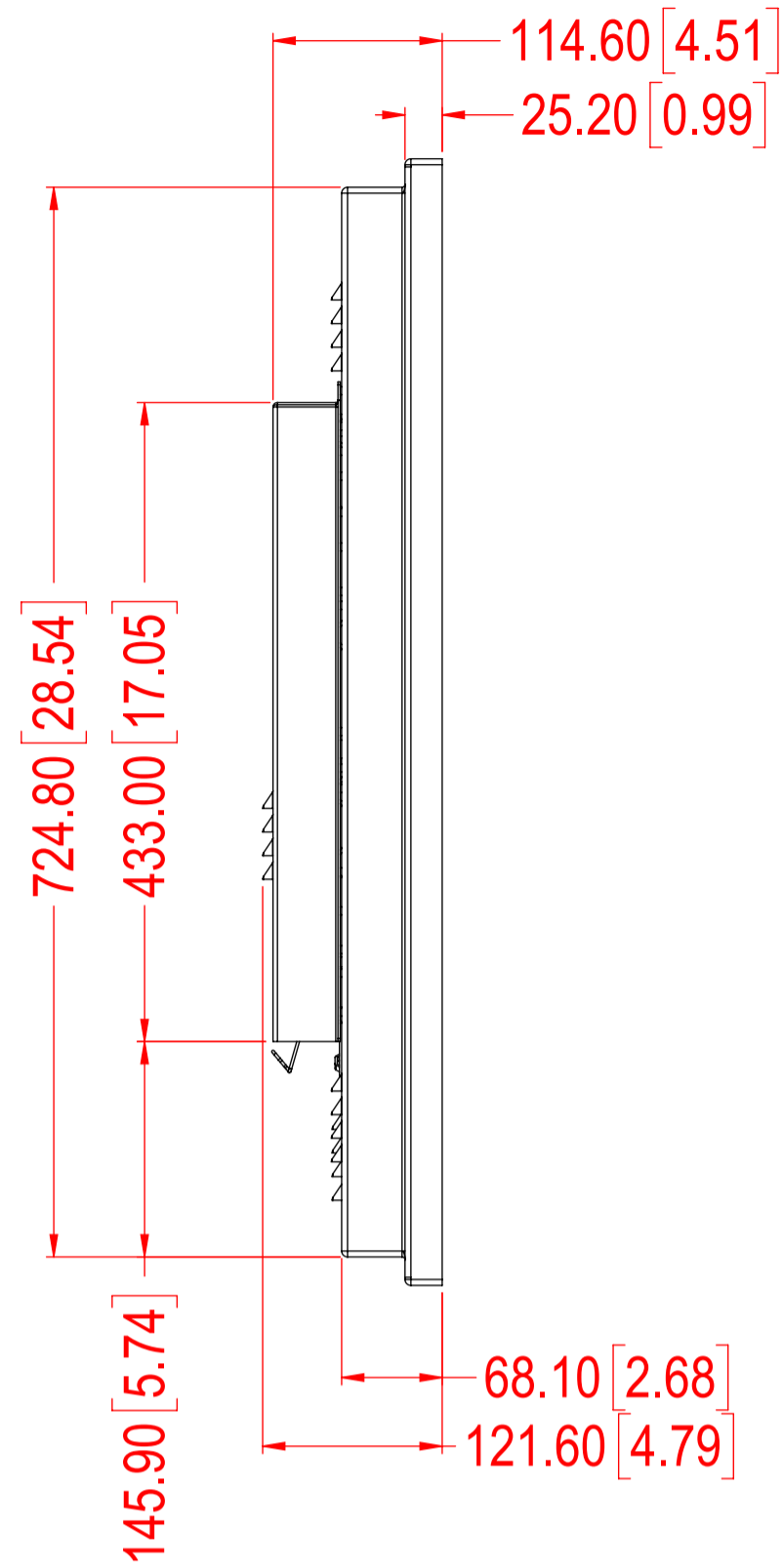
FRONT VIEW



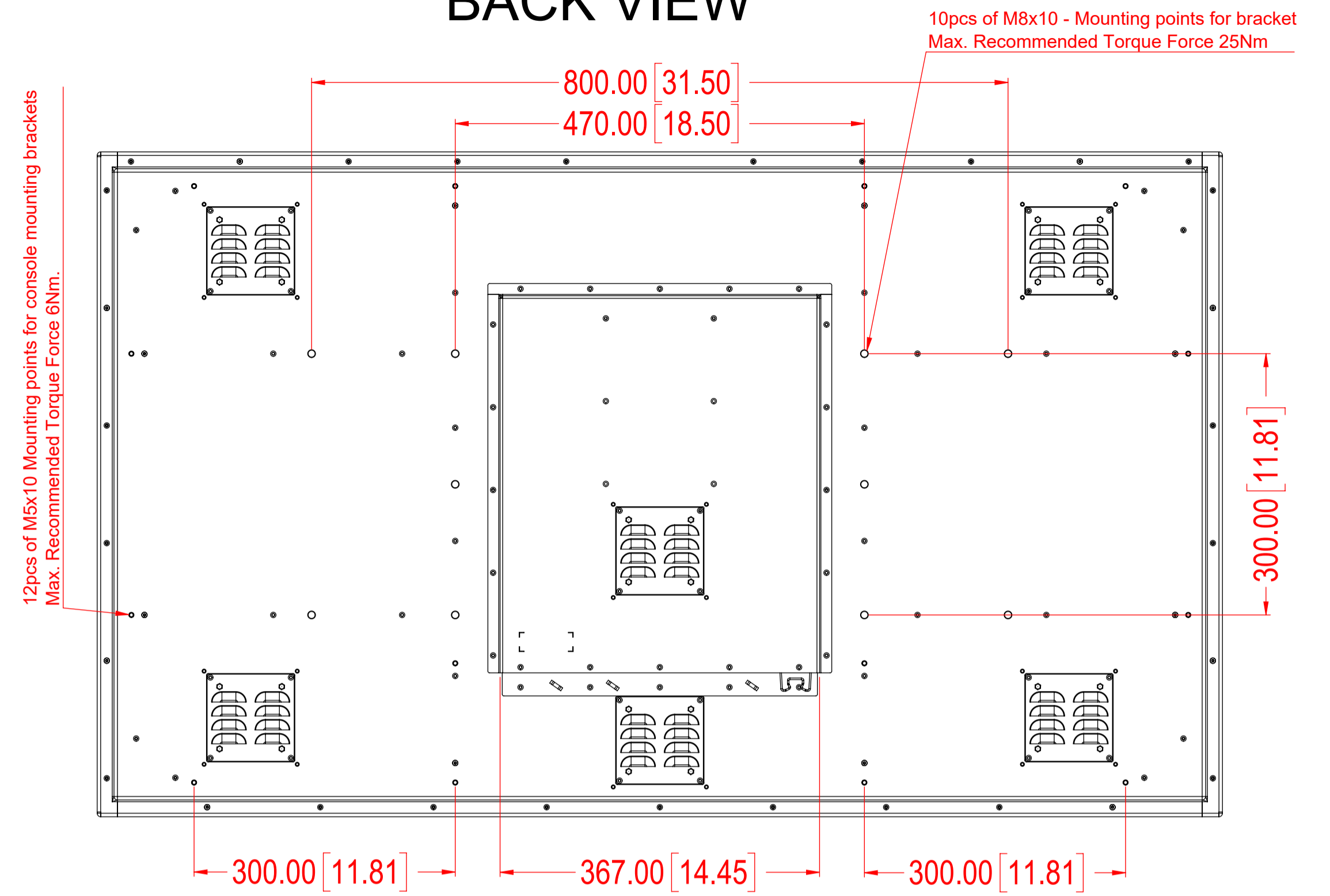
↑ INTERFACES AREA



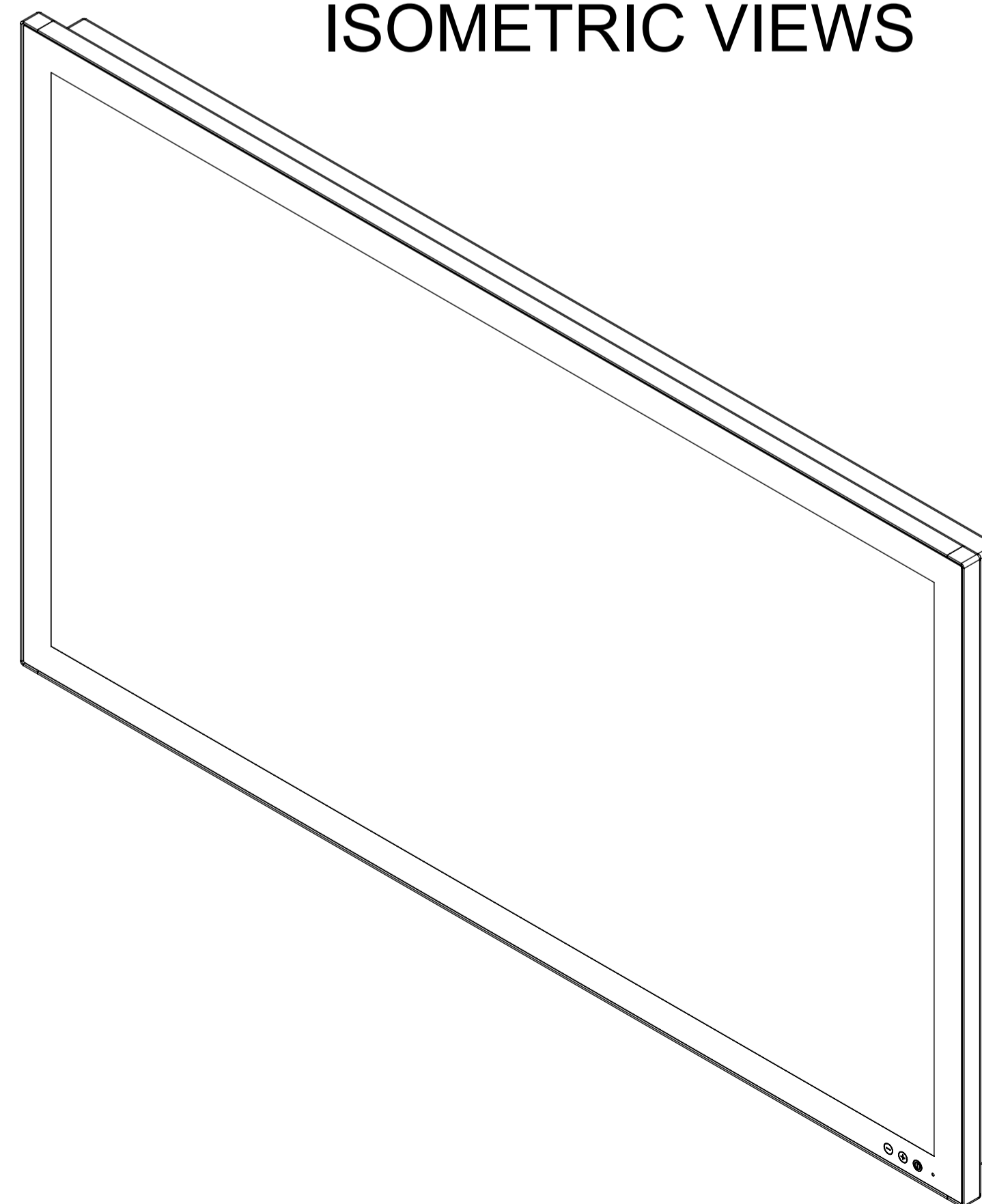
SIDE VIEW



BACK VIEW



ISOMETRIC VIEWS



SALES DRAWINGS HD 55T40 MVD

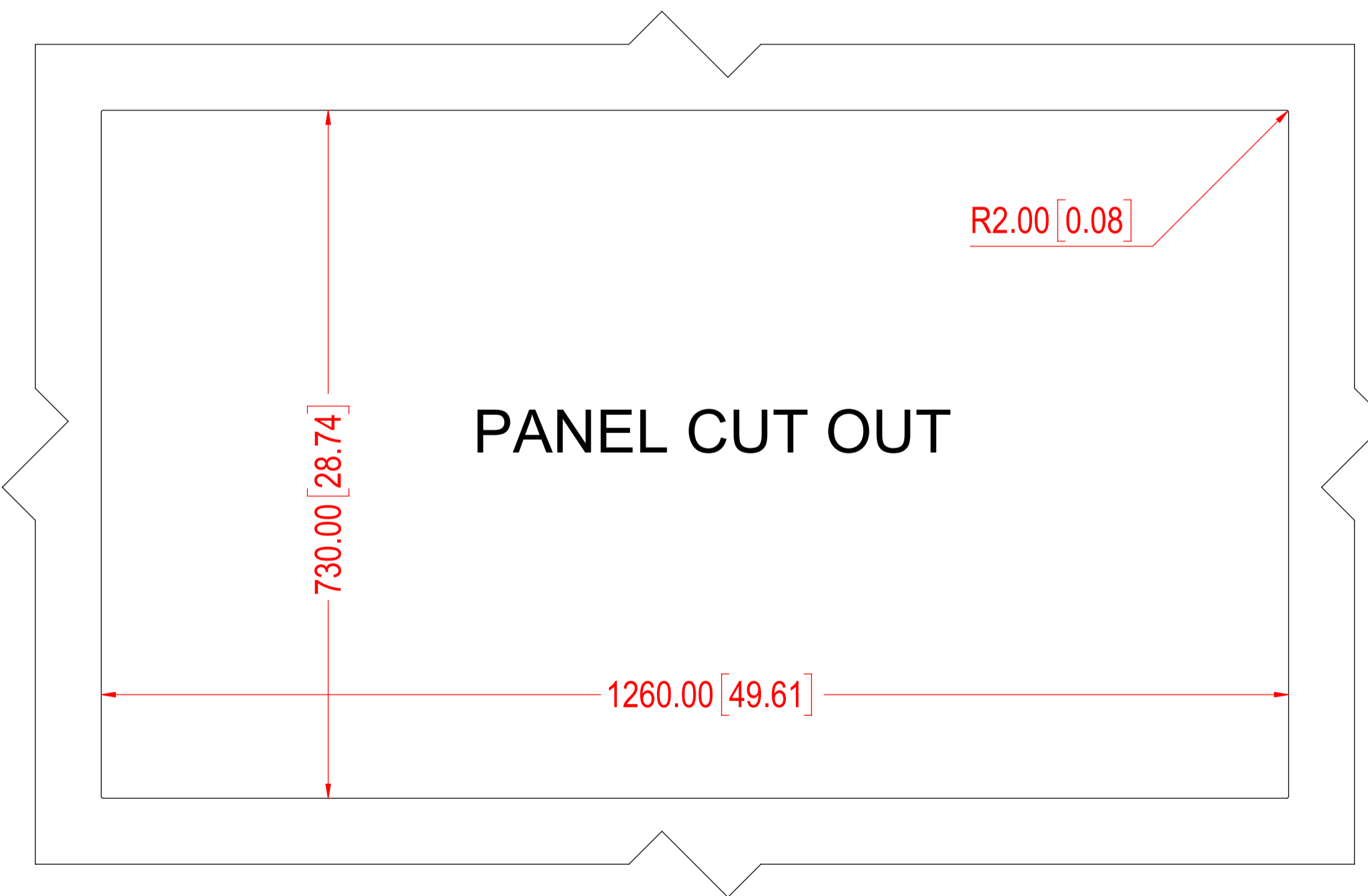
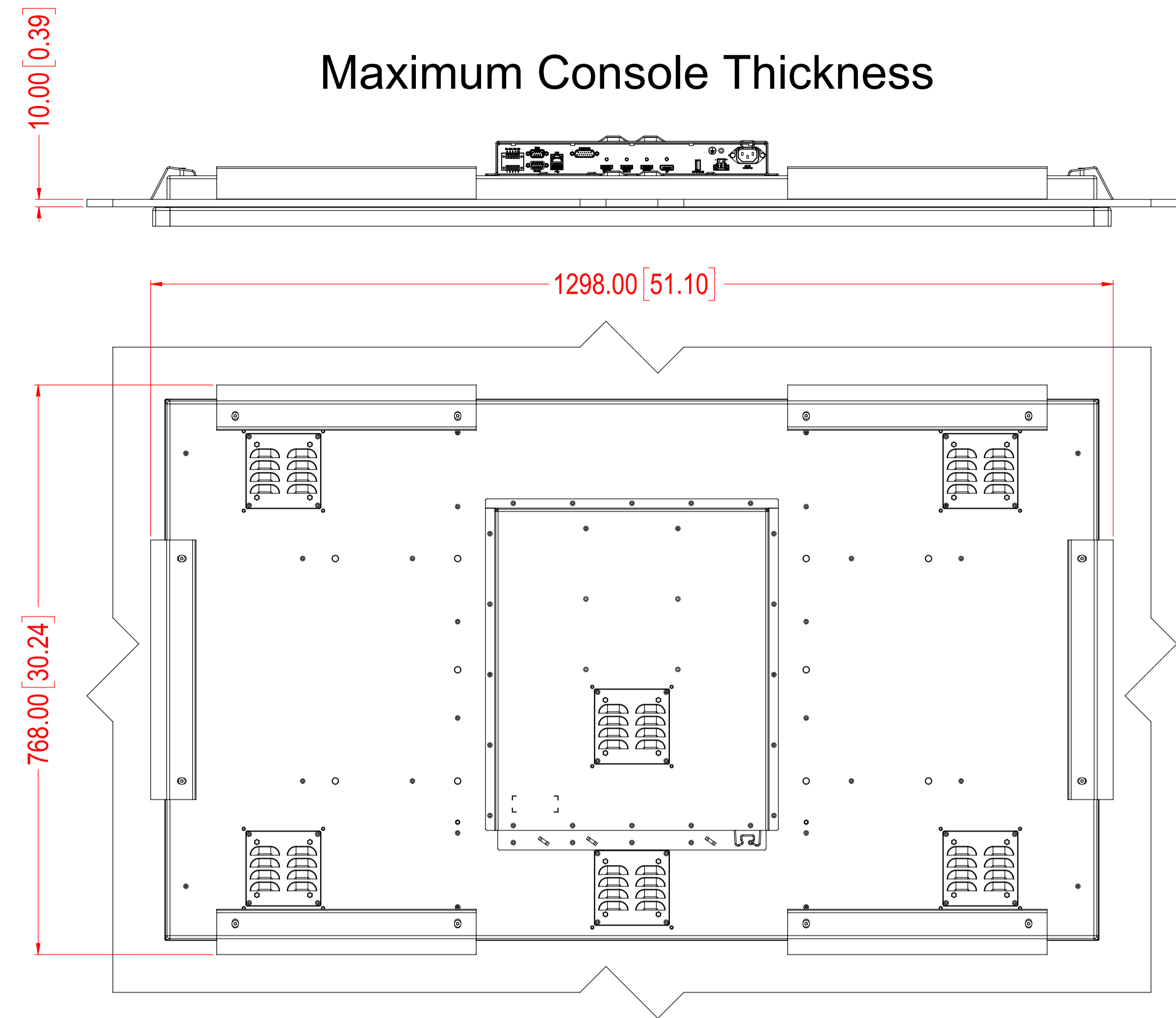
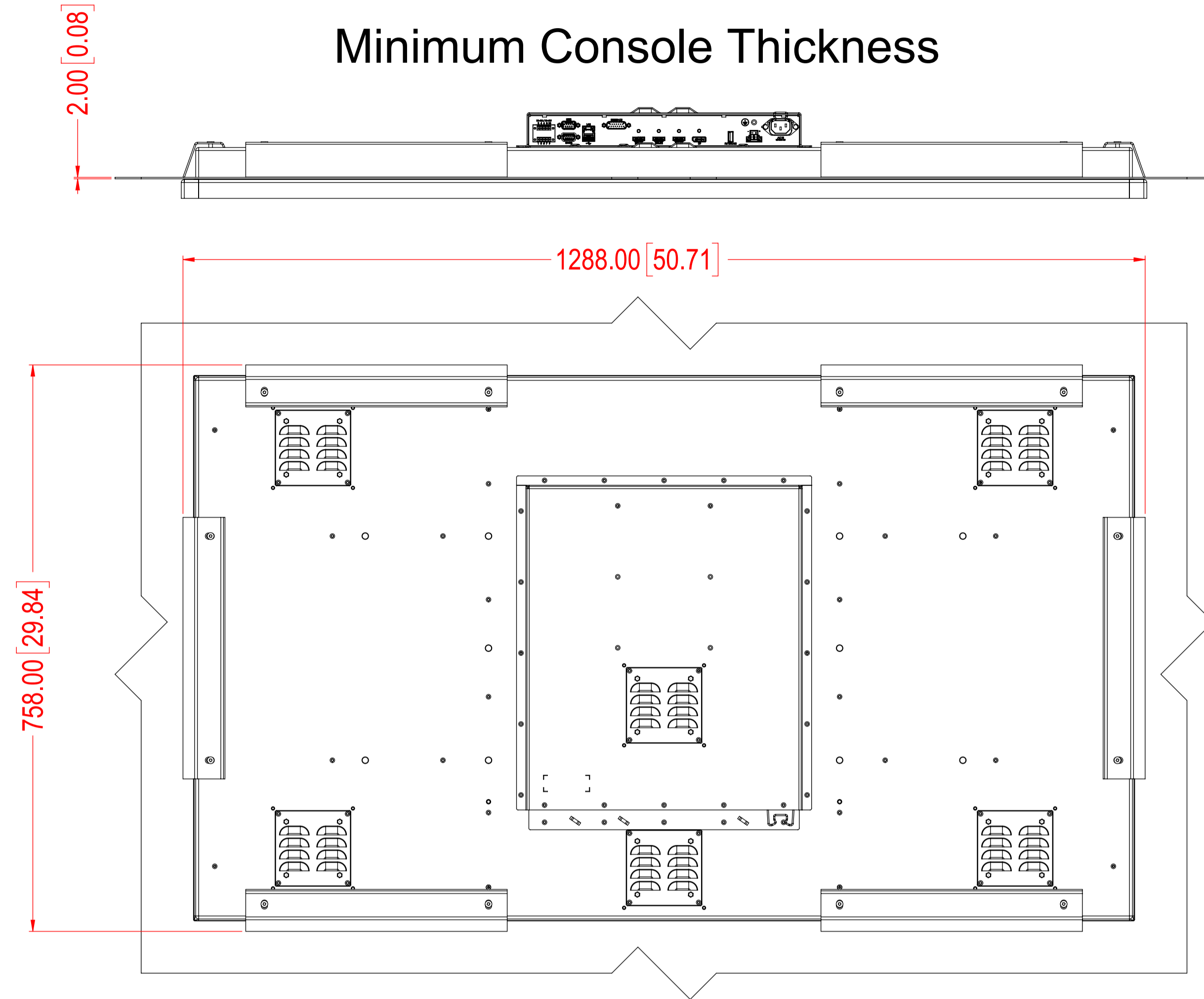
Units: mm [inches]

Creation date / by:	03.10.19 / 8744	Projection:	A1	HATTELAND TECHNOLOGY <small>an EMBRON Company</small>	
Last rev. date / by:	/		Scale: 1:5	Approved by:	Revision: 01
Hatteland Technology AS Eikeskogvegen 52 N-5570 Akksdal			Tolerance: ISO 2768-mK	Drawing number: A012950	

This document is the property of Hatteland Technology AS.
 This document and any authorized reproduction thereof, must not be used in
 any way against the interest of Hatteland Technology AS.
 Any authorized reproduction, in whole or in part, must include this legend.

Minimum Console Thickness

Maximum Console Thickness



PANEL CUT OUT

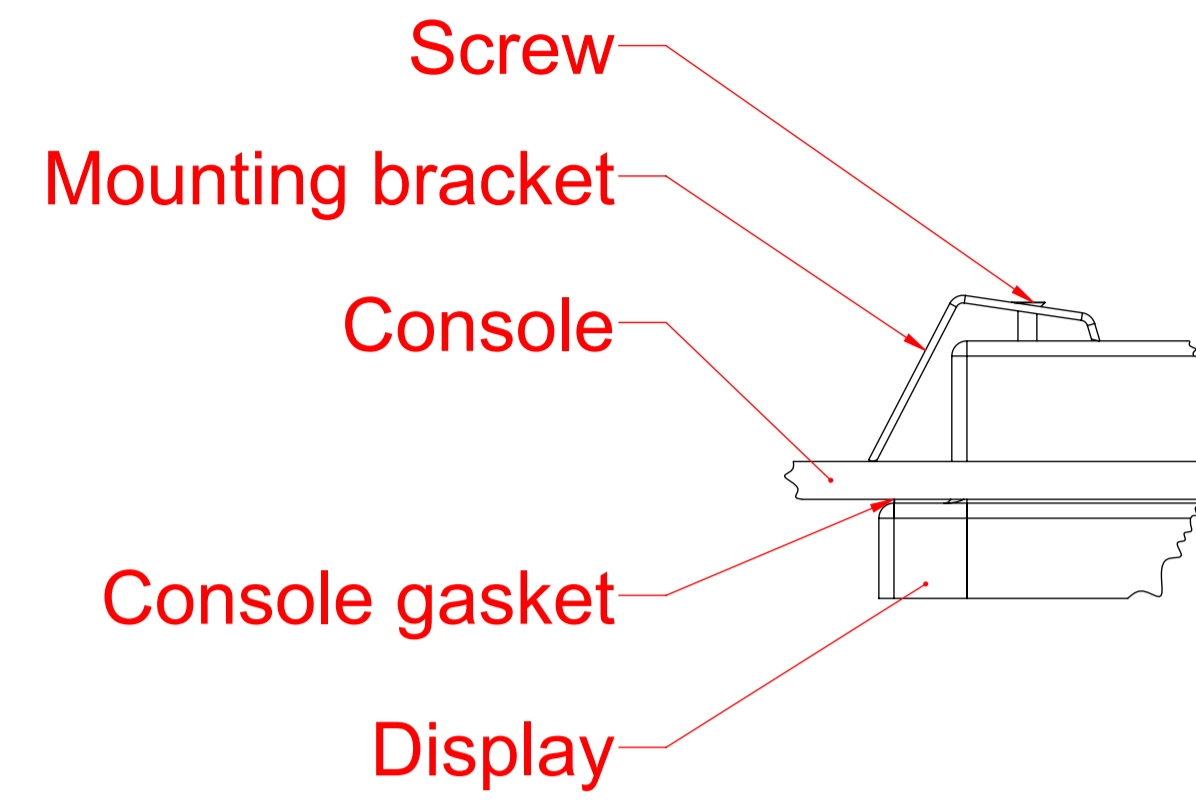
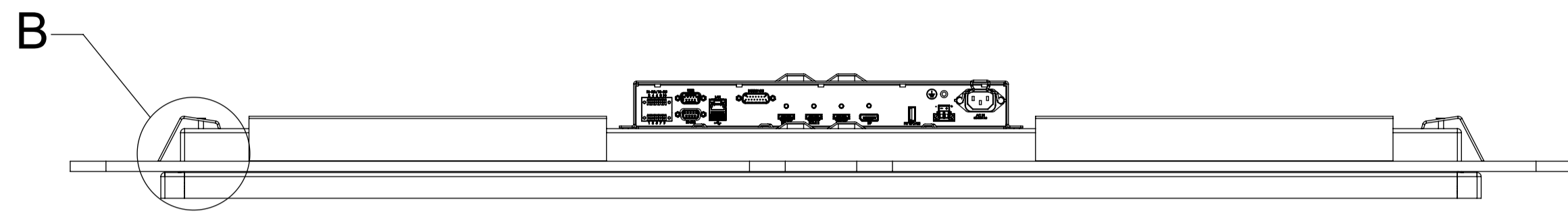
SALES DRAWING HD CMB SX2-H1
 HD 55T40 Display shown / used as illustration ONLY in this drawing.
 Procedure is valid for all HD 55T40 xxx-xxx-xxxx models.

Units: mm [inches]

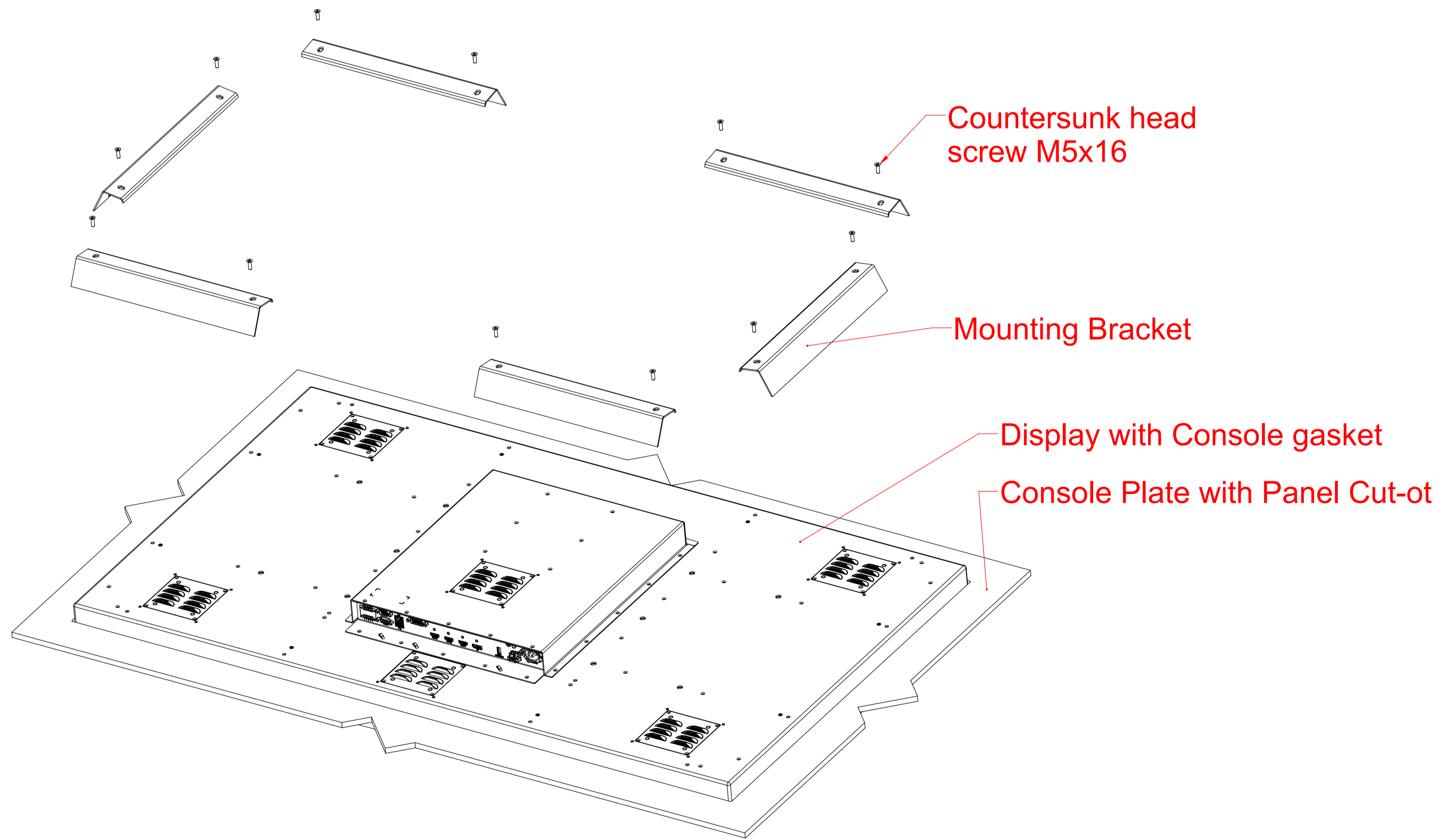
Creation date / by:	03.10.19 / 8744	Projection:	A1	HATTELAND TECHNOLOGY an EMBRON Company
Last rev. date / by:	/		Scale: 1:5	
Hatteland Technology AS Eikeskogvegen 52 N-5570 Akksdal			Tolerance: ISO 2768-mK	Approved by: _____ Revision: 01 Drawing number: A012950

This document is the property of Hatteland Technology AS.
 This document and any authorized reproduction thereof, must not be used in
 any way against the interest of Hatteland Technology AS.
 Any authorized reproduction, in whole or in part, must include this legend.

CMB Brackets Instructions




B (1:2)



SALES DRAWING HD CMB SX2-H1

HD 55T40 Display shown / used as illustration ONLY in this drawing.
 Procedure is valid for all HD 55T40 xxx-xxx-xxxx models.

Units: mm [inches]

Creation date / by:	03.10.19 / 8744	Projection:	A1	 <small>HATTELAND TECHNOLOGY</small> <small>an EMERSON Company</small>
Last rev. date / by:	/		Scale: 1:5	
Hatteland Technology AS		Tolerance	Approved by:	Revision: 01
Eikeskogvegen 52		ISO 2768-mK	Drawing number: A012950	
N-5570 Akdsdal				