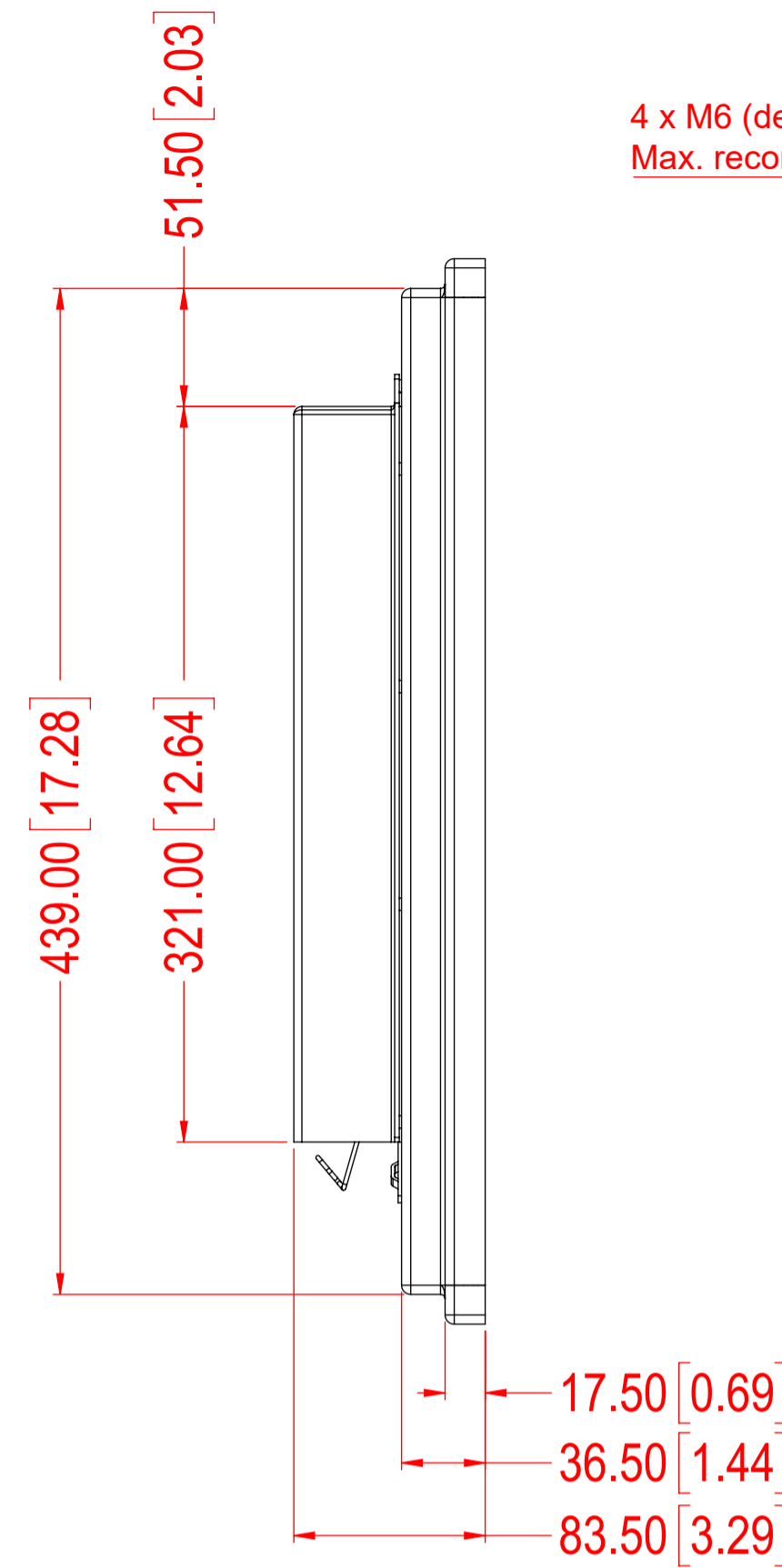
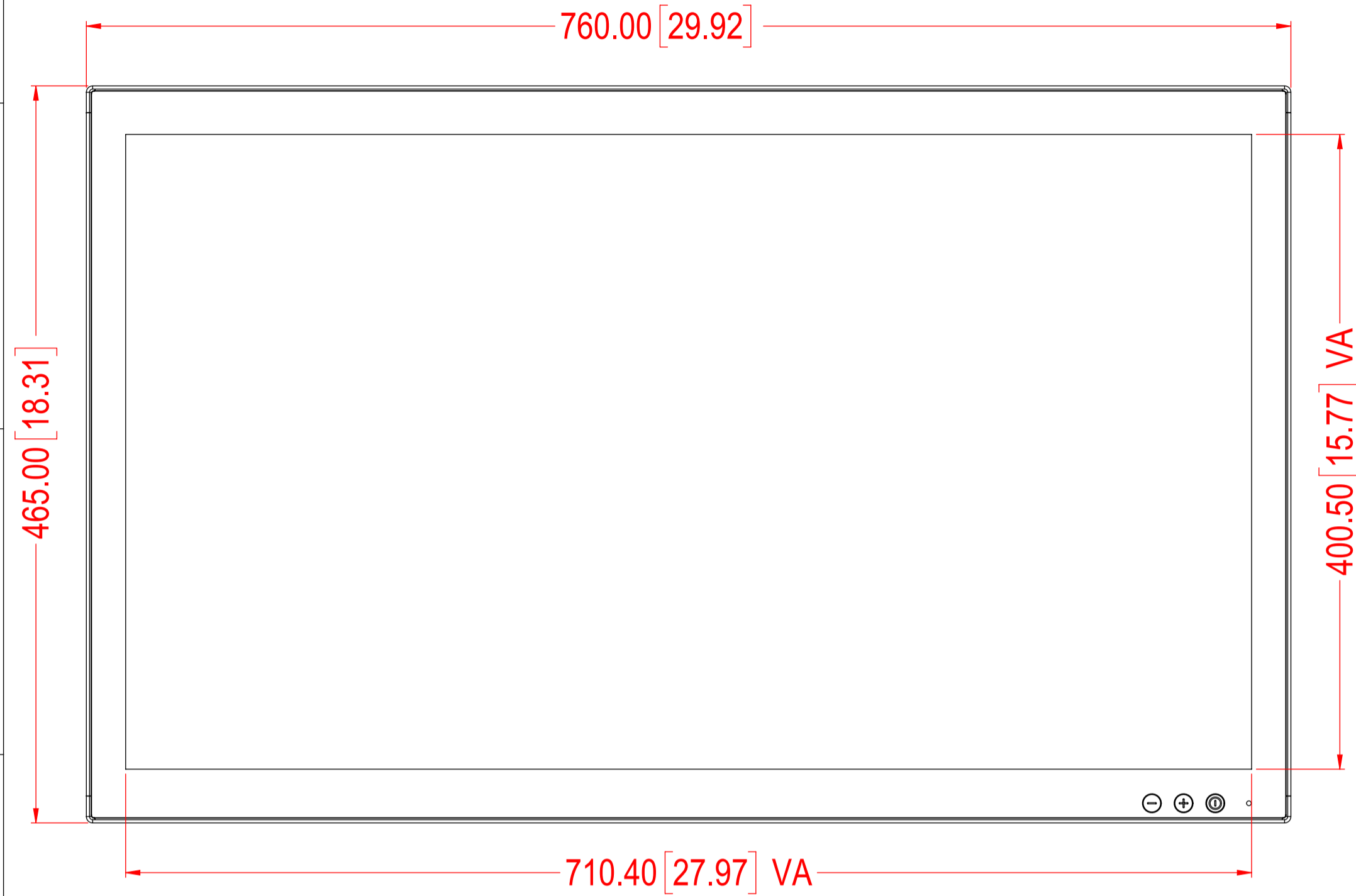


This document is the property of Hatteland Technology AS.
 This document and any authorized reproduction thereof, must not be used in
 any way against the interest of Hatteland Technology AS.
 Any authorized reproduction, in whole or in part, must include this legend.

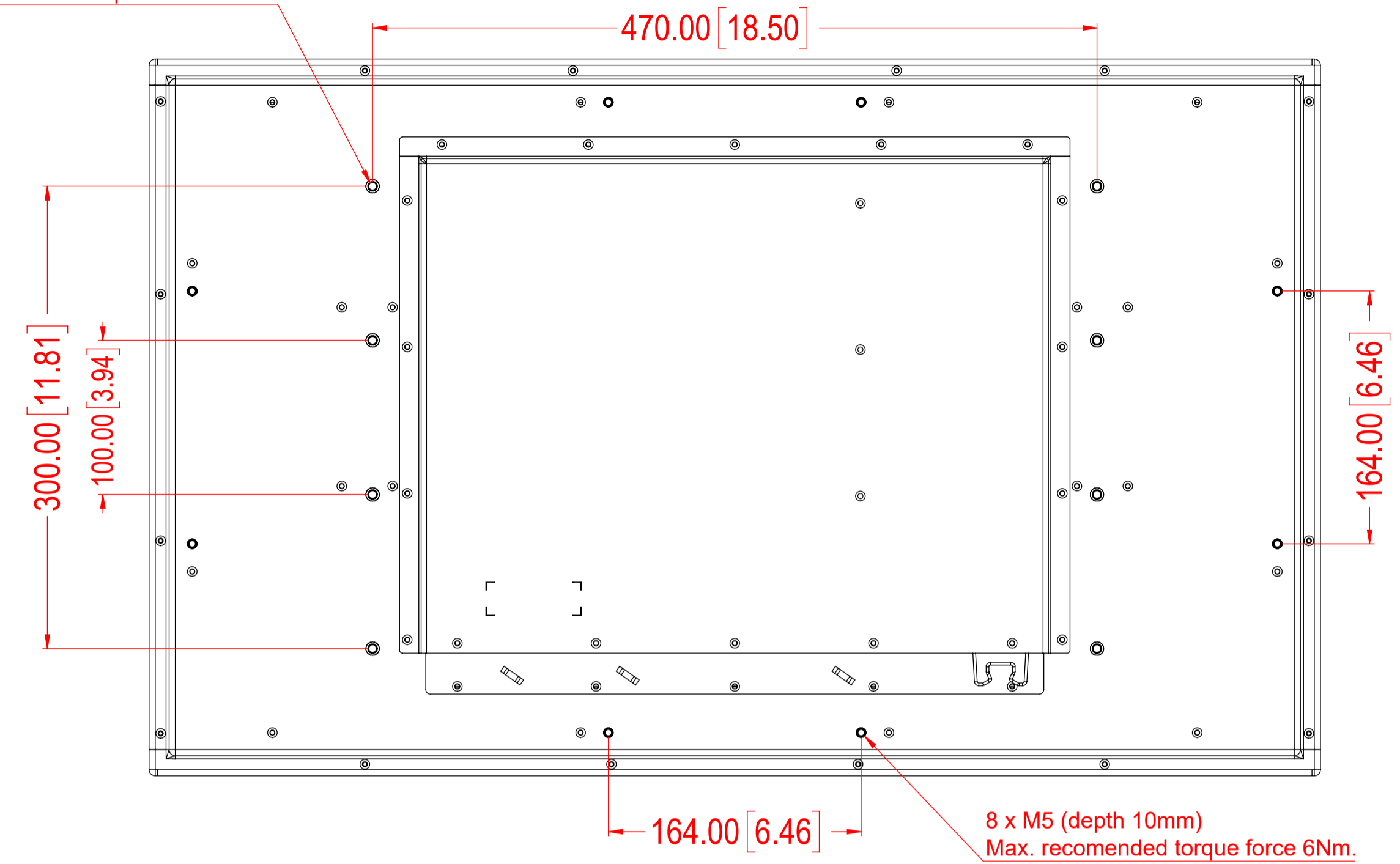
FRONT VIEW

SIDE VIEW

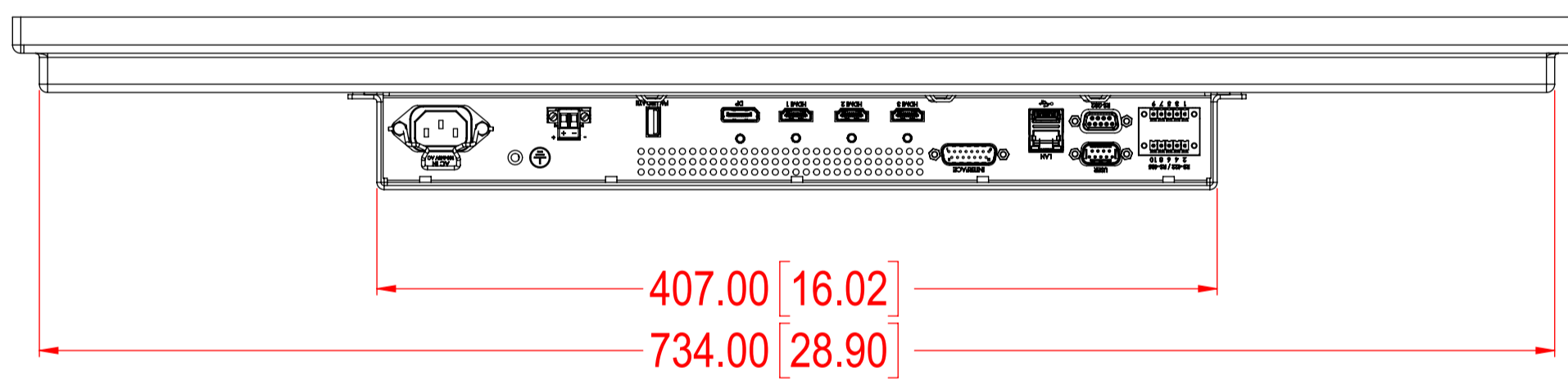
BACK VIEW



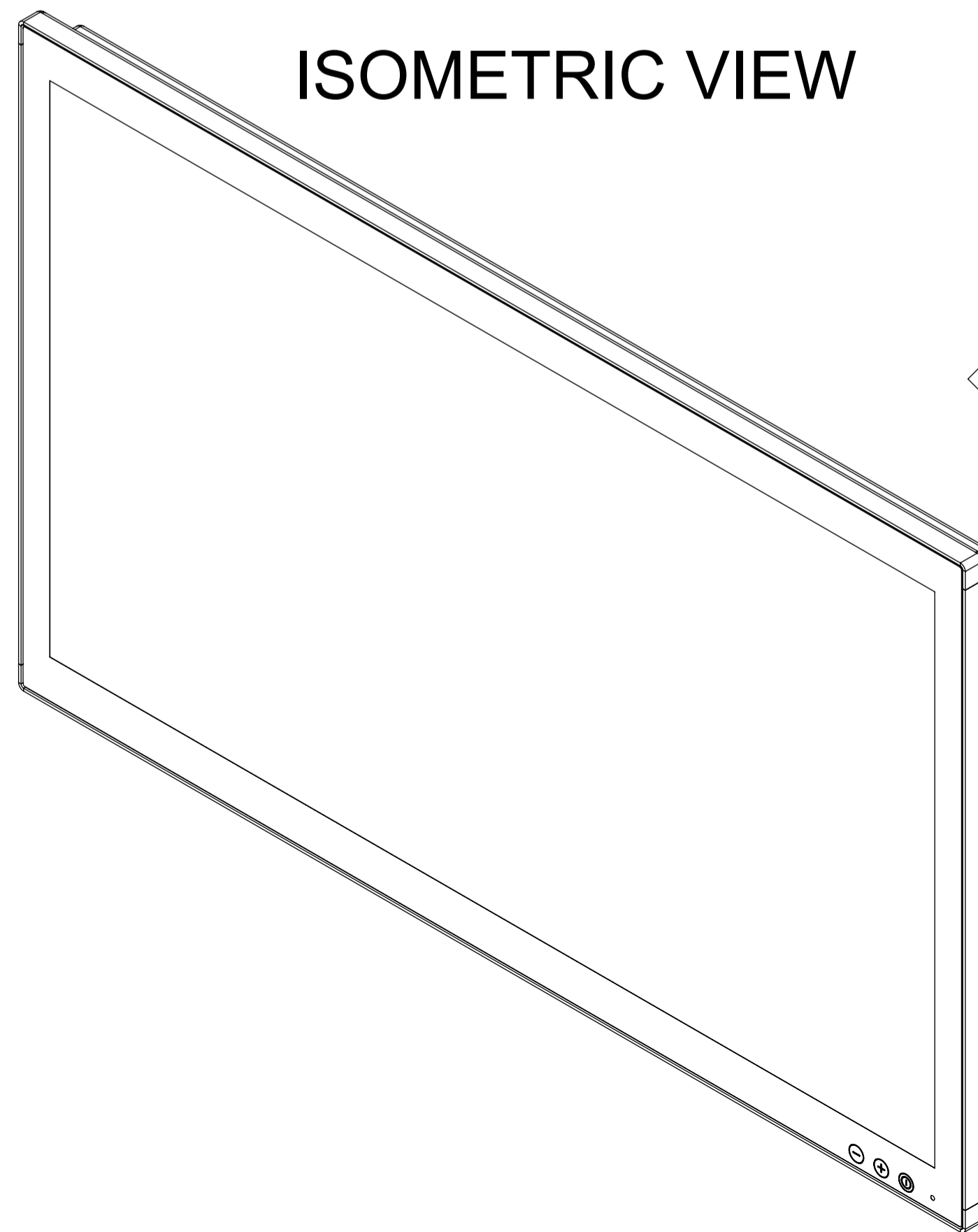
4 x M6 (depth 10mm)
 Max. recommended torque force 10Nm.



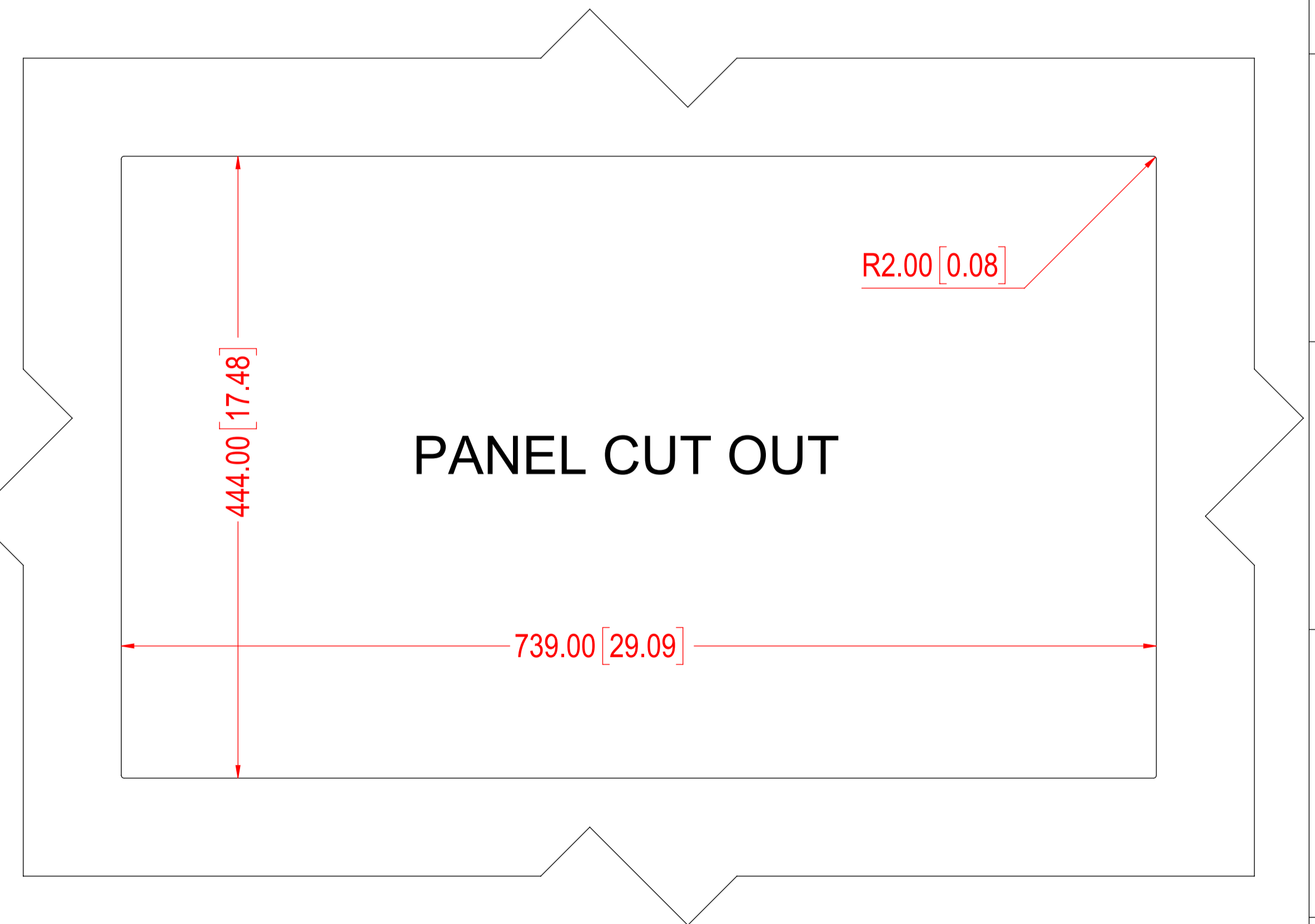
INTERFACES AREA



ISOMETRIC VIEW



PANEL CUT OUT



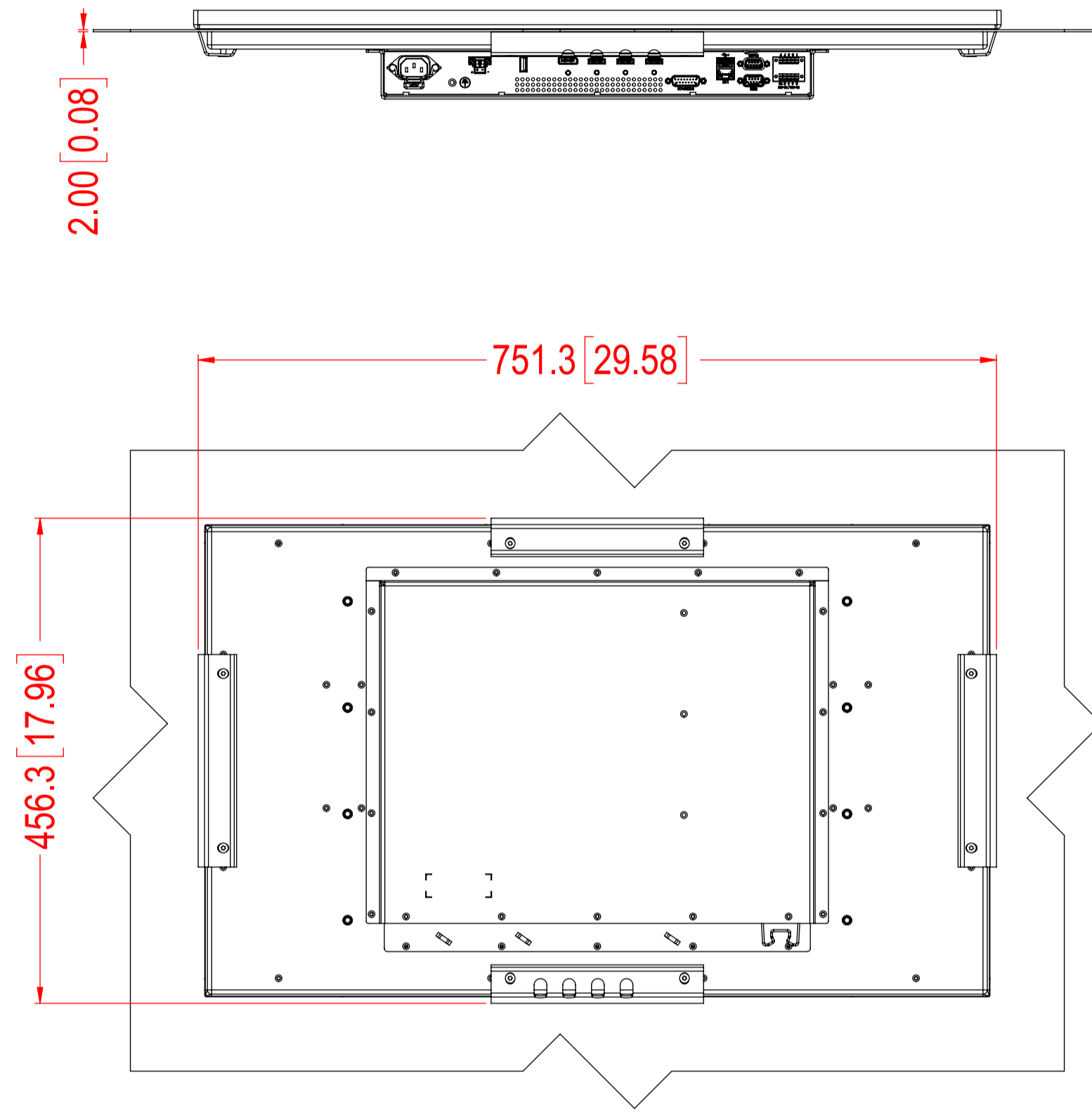
SALES DRAWINGS HD 32T40 MVD

Units: mm [inches]

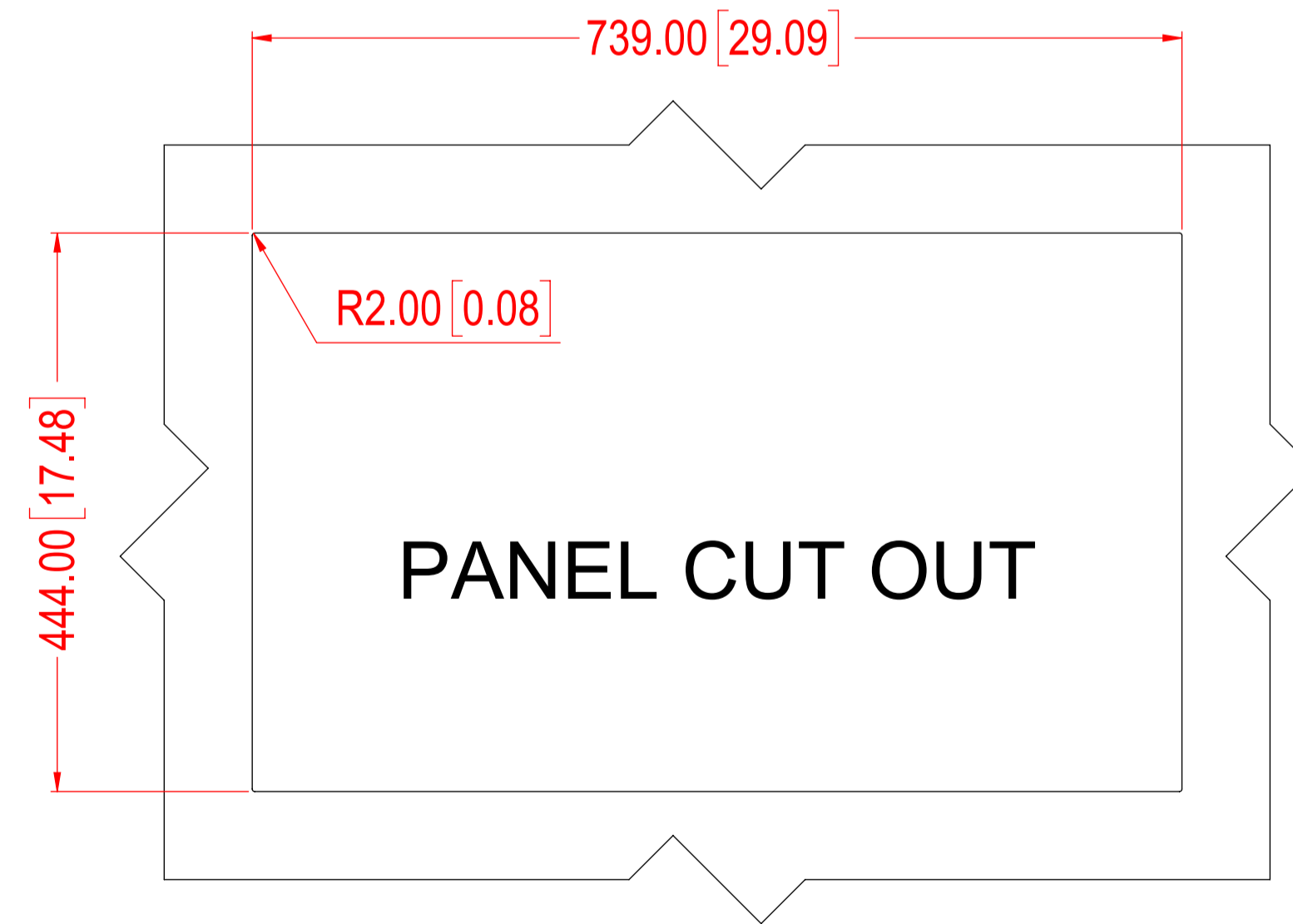
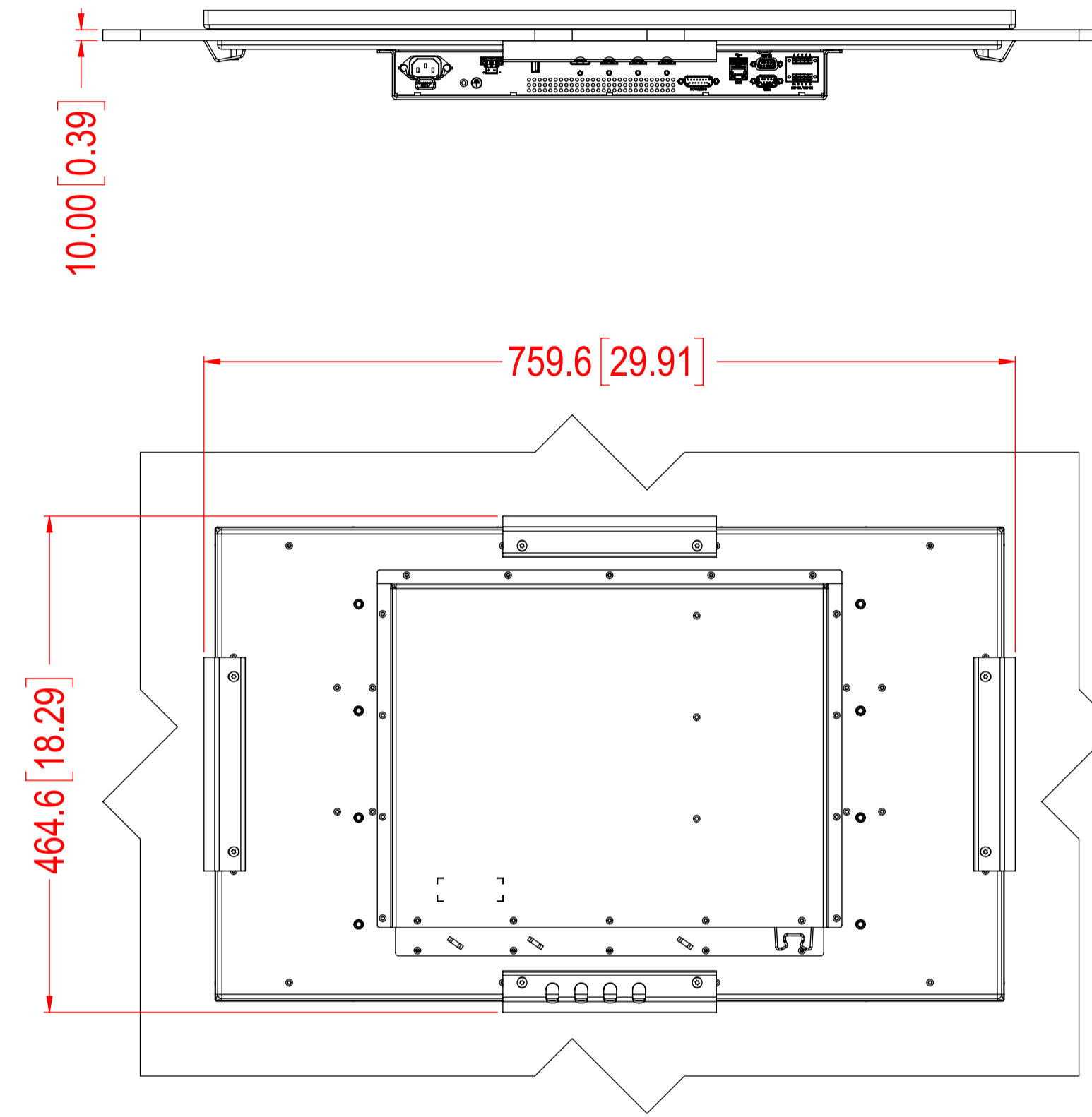
Creation date / by:	/	Projection:	A1	HATTELAND TECHNOLOGY an EMBRON Company
Last rev. date / by:	/		Scale: 1:3	Approved by:
Hatteland Technology AS Eikeskogvegen 52 N-5570 Akksdal			Tolerance ISO 2768-mK	Revision: 01 Drawing number: A013154

This document is the property of Hatteland Technology AS.
 This document and any authorized reproduction thereof, must not be used in
 any way against the interest of Hatteland Technology AS.
 Any authorized reproduction, in whole or in part, must include this legend.

MINIMUM CONSOLE THICKNESS



MAXIMUM CONSOLE THICKNESS



PANEL CUT OUT

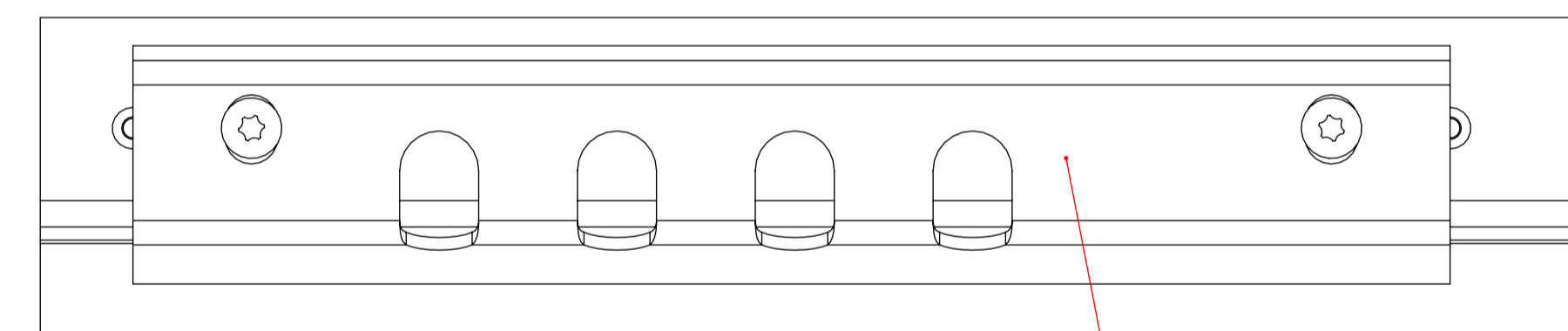
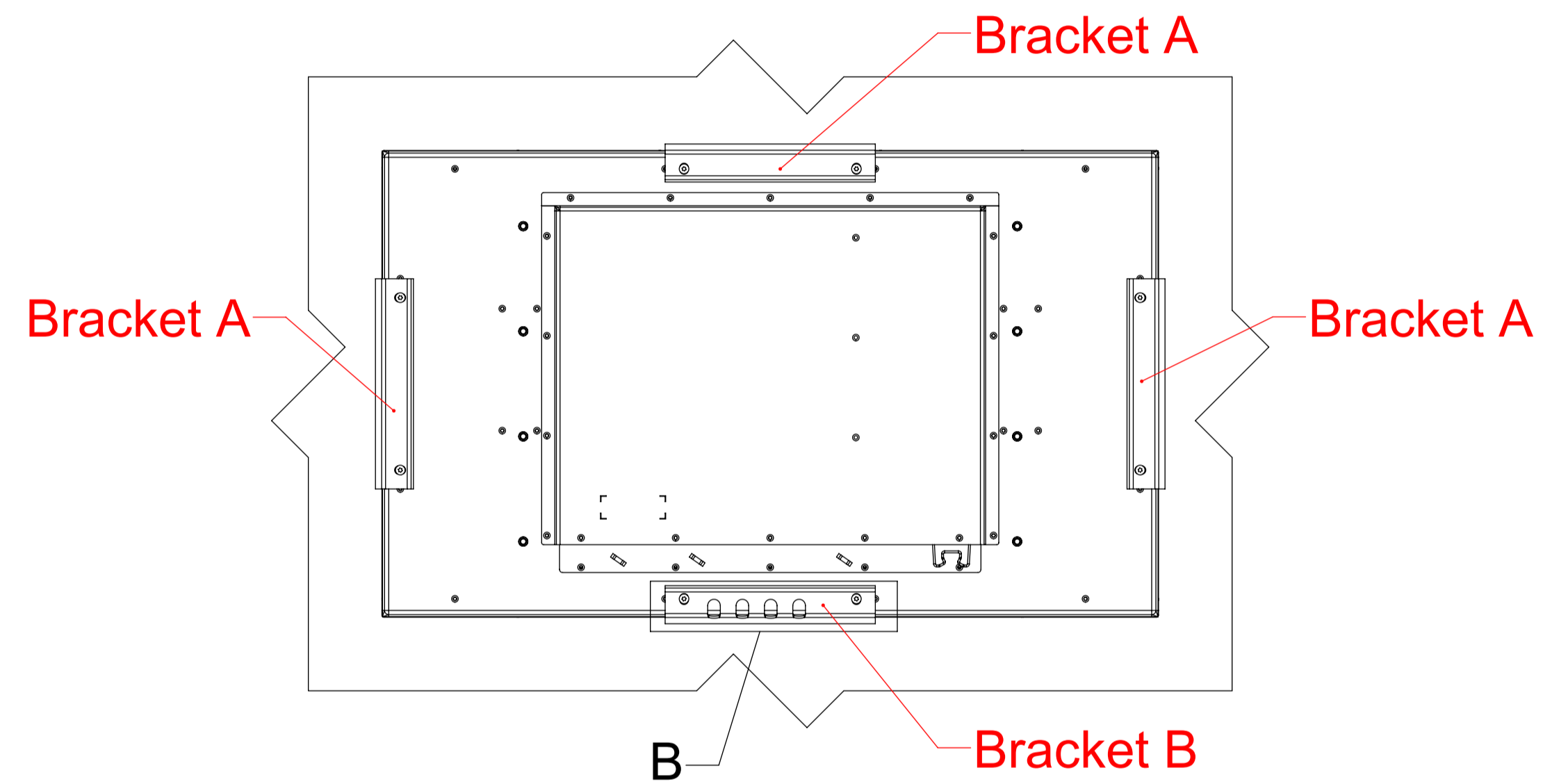
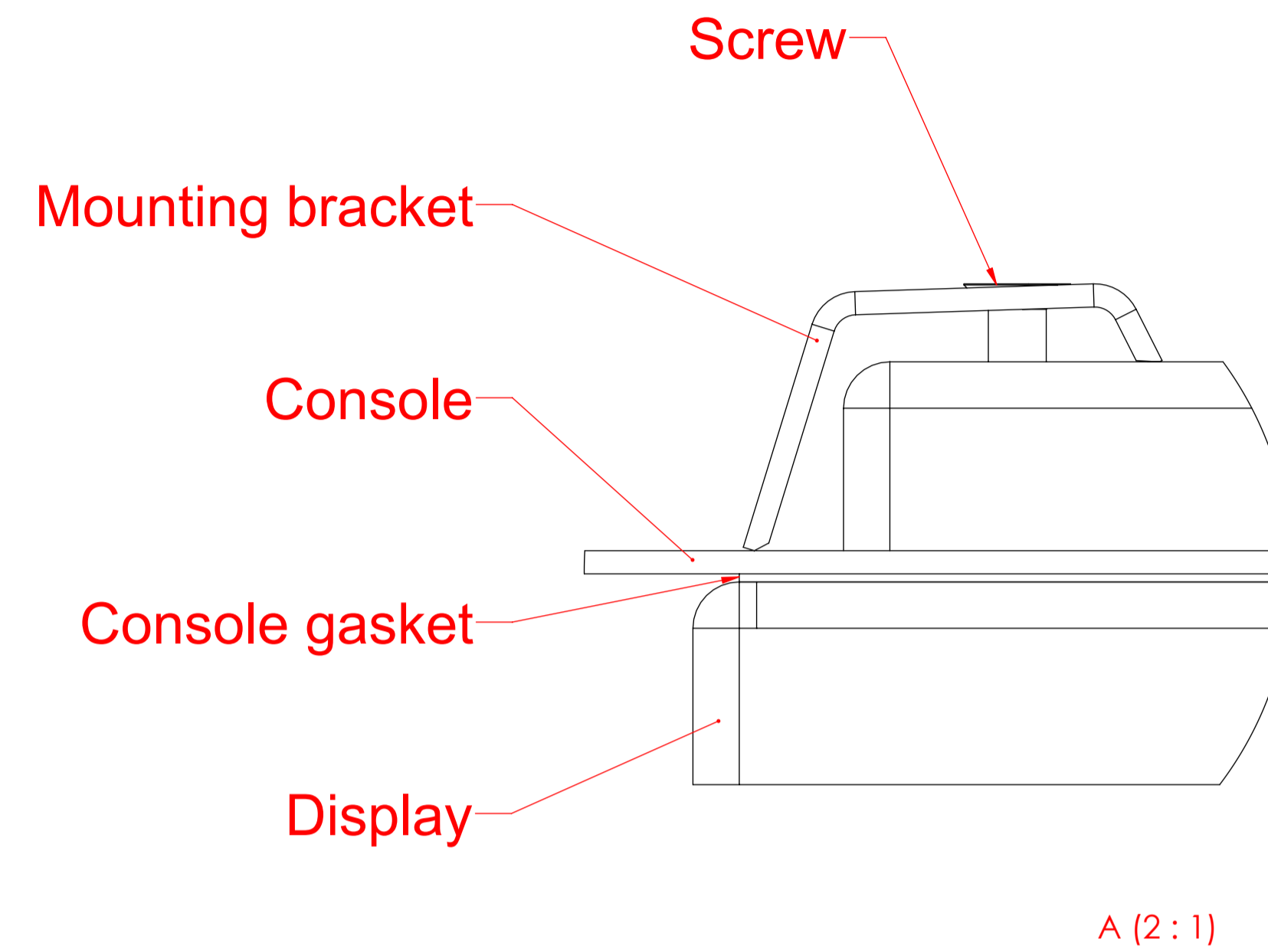
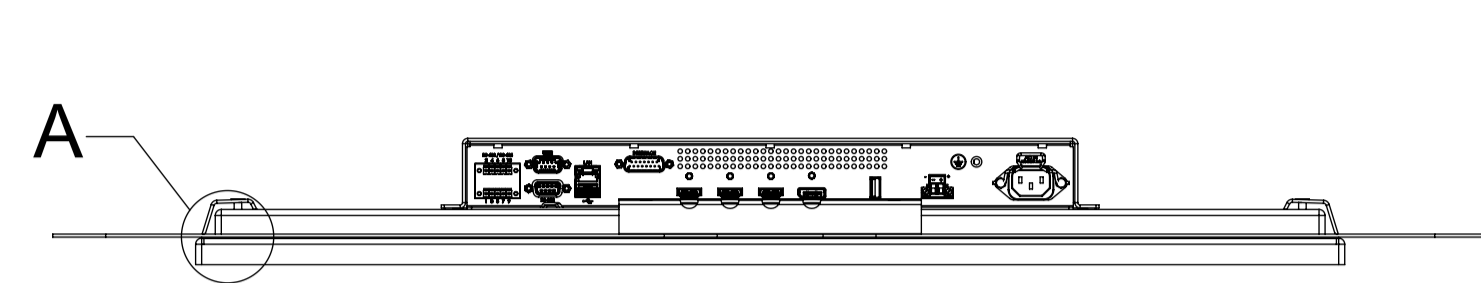
SALES DRAWING HD CMB SX2-J1
 HD 32T40 Display shown / used as illustration ONLY in this drawing.
 Procedure is valid for all HD 32T40 xxx-xxx-xxxx models.

Units: mm [inches]

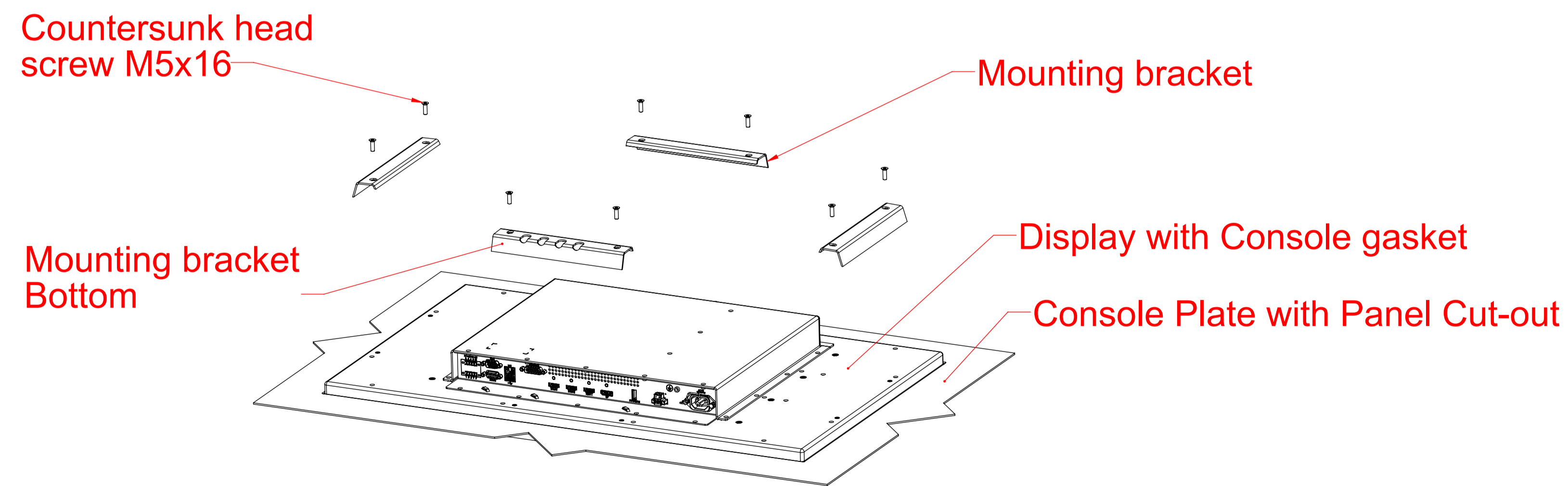
Creation date / by:	/	Projection:	A1	HATTELAND TECHNOLOGY <small>an EMBRON Company</small>
Last rev. date / by:	/		Scale: 1:5	
Hatteland Technology AS Eikeskogvegen 52 N-5570 Akksdal			Tolerance: ISO 2768-mK	Approved by: _____ Revision: 01
			Drawing number: A013154	

This document is the property of Hatteland Technology AS.
 This document and any authorized reproduction thereof, must not be used in
 any way against the interest of Hatteland Technology AS.
 Any authorized reproduction, in whole or in part, must include this legend.

BRACKET INSTRUCTIONS



Use Bracket B
on terminalplate side only



Units: mm [inches]

SALES DRAWING HD CMB SX2-J1

HD 32T40 Display shown / used as illustration ONLY in this drawing.
 Procedure is valid for all HD 32T40 xxx-xxx-xxxx models.

Creation date / by: /	Projection:	A1	HATTELAND TECHNOLOGY <small>an EMBRON Company</small>	
Last rev. date / by: /		Scale: 1:5	Tolerance	Approved by: _____
Hatteland Technology AS Eikeskogvegen 52 N-5570 Akdsal		ISO 2768-mK	Revision: 01	Drawing number: A013154