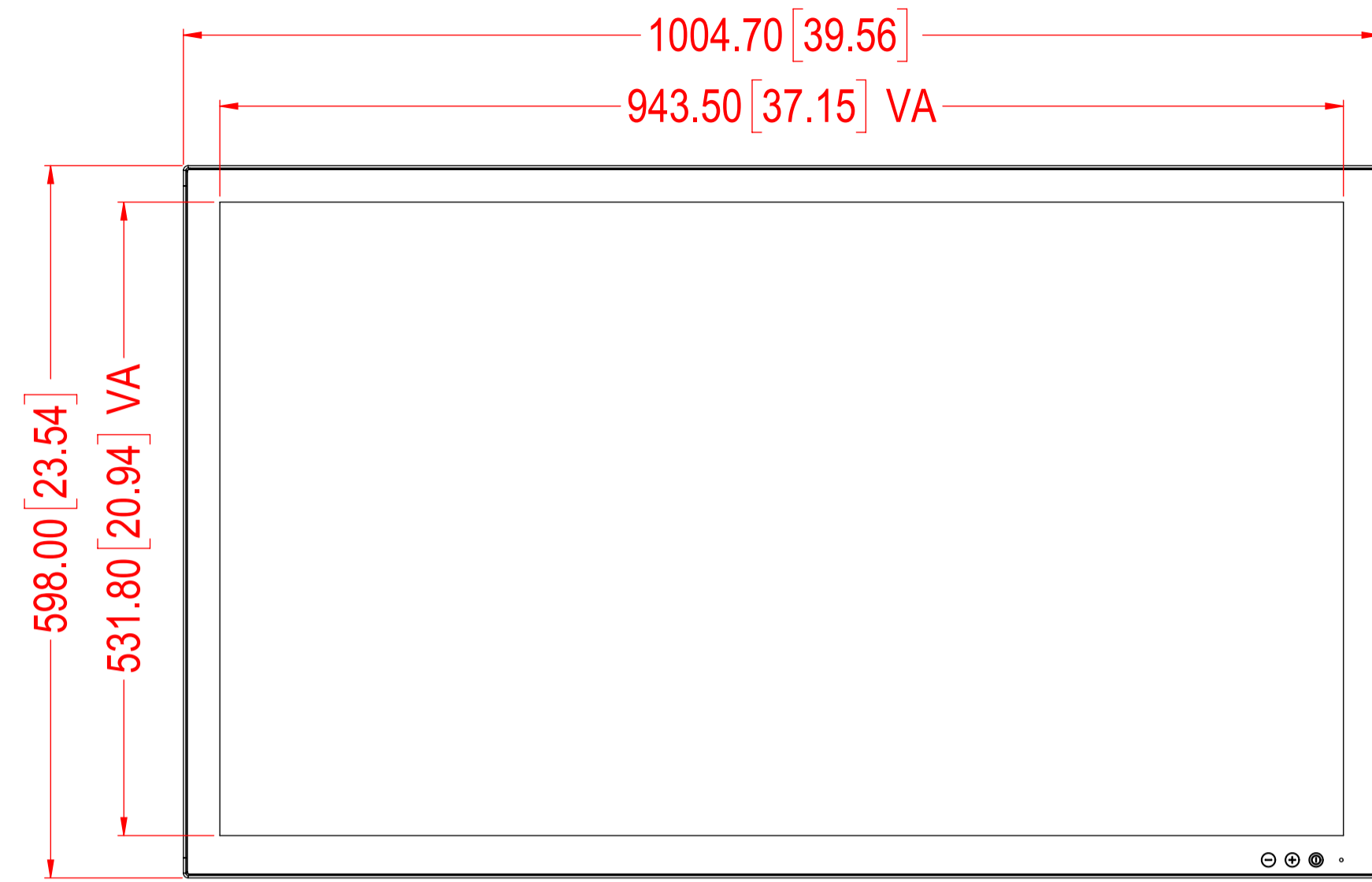


This document is the property of Hatteland Technology AS.
 This document and any authorized reproduction thereof, must not be used in
 any way against the interest of Hatteland Technology AS.
 Any authorized reproduction, in whole or in part, must include this legend.

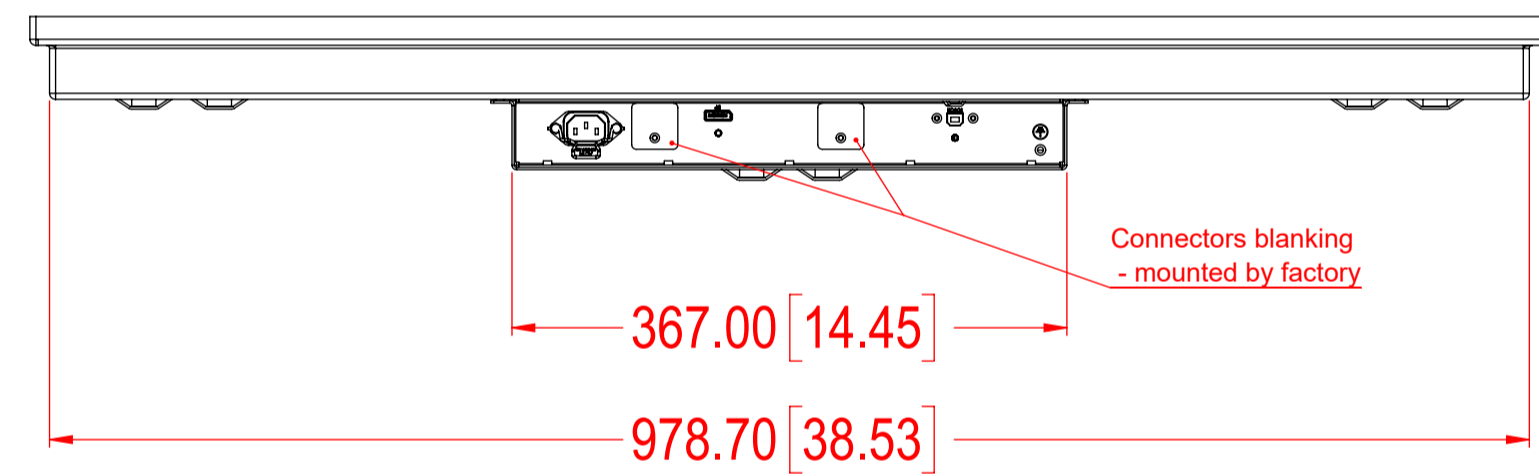
FRONT VIEW



↑ Interfaces area

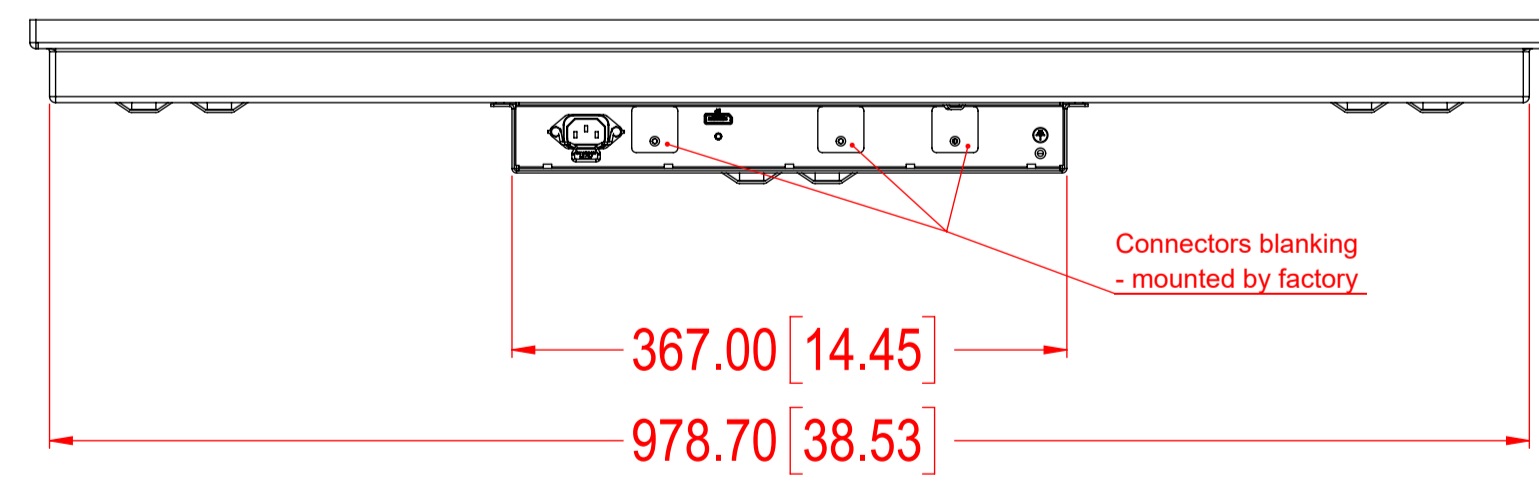
INTERFACES AREA

Touch

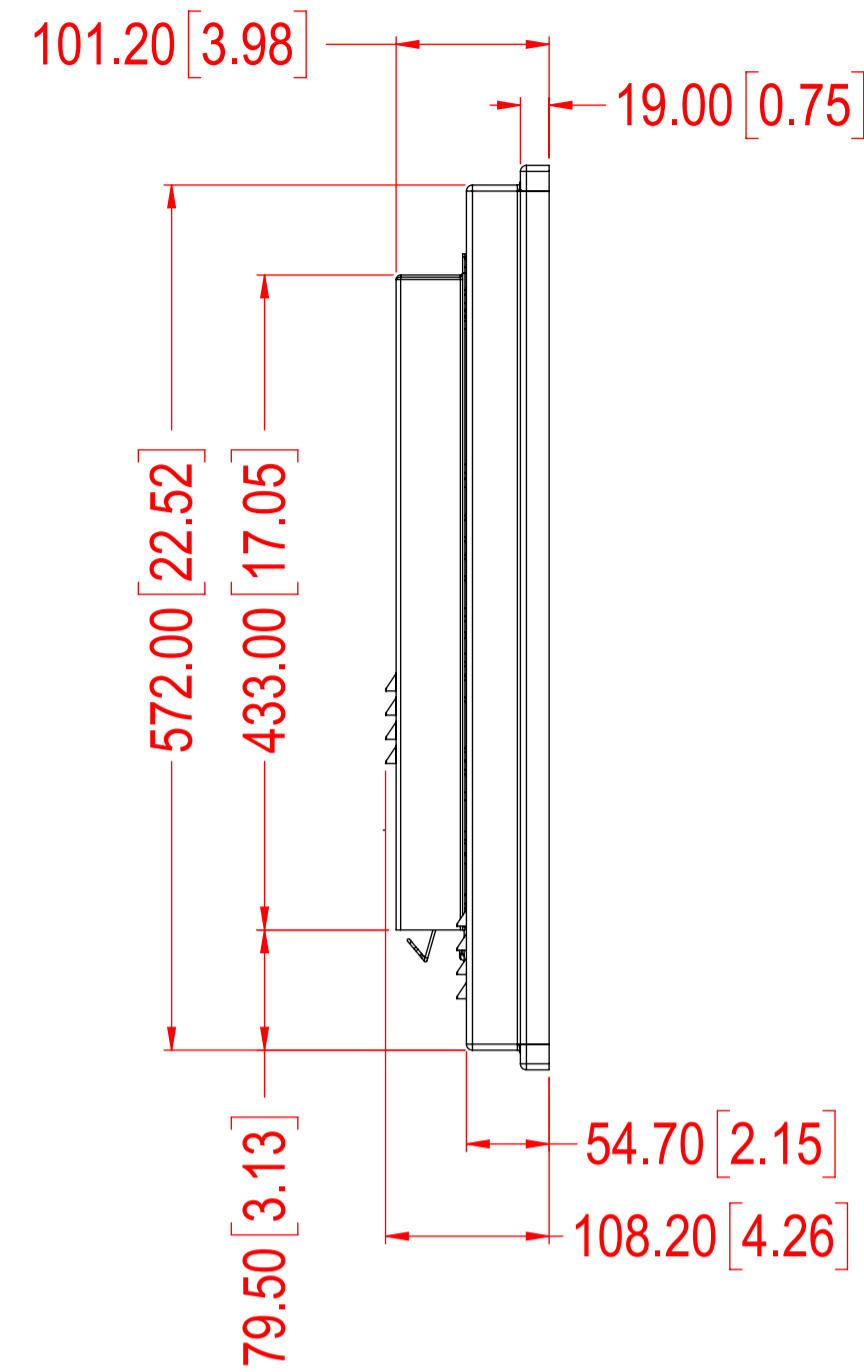


INTERFACES AREA

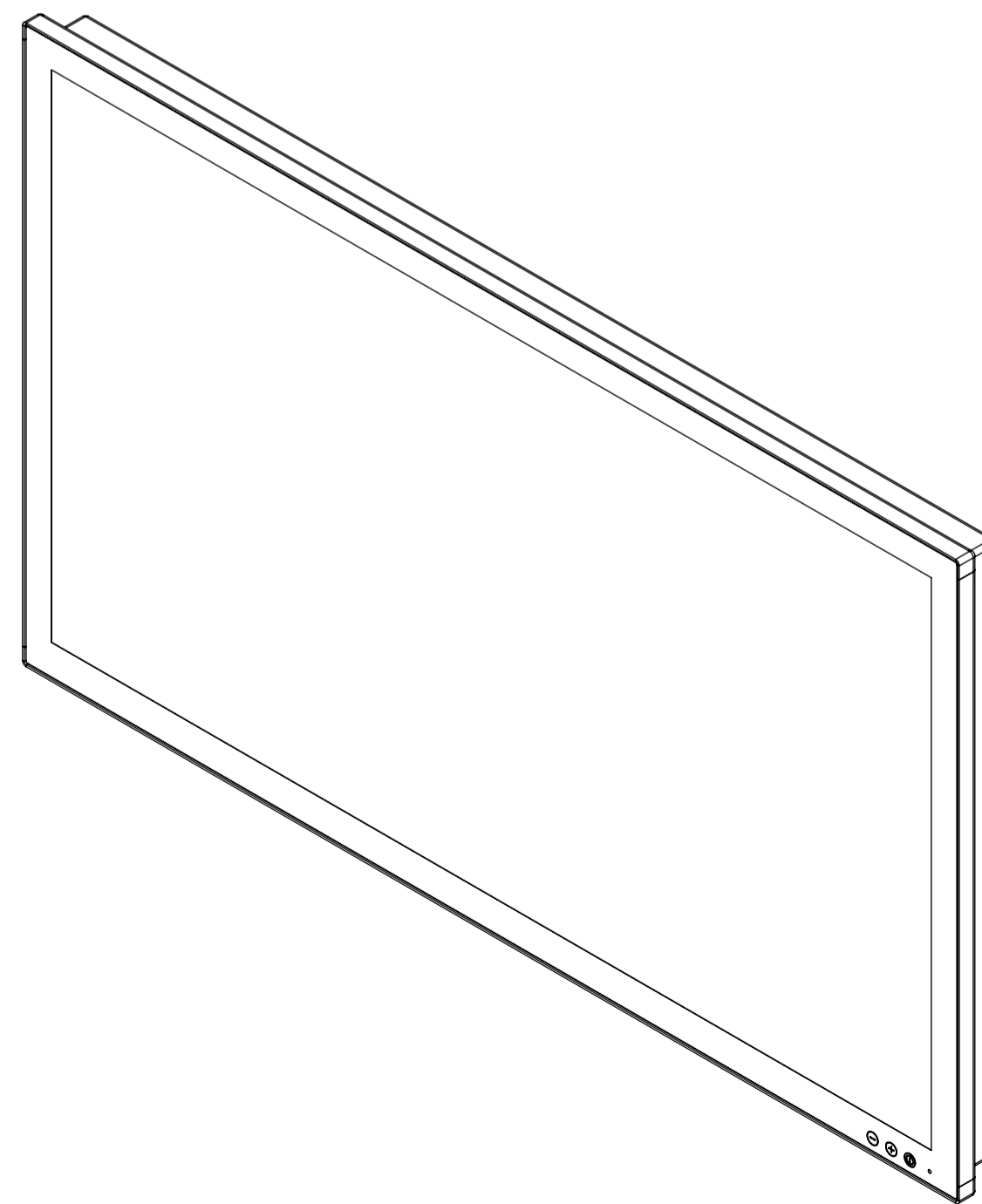
Non-Touch



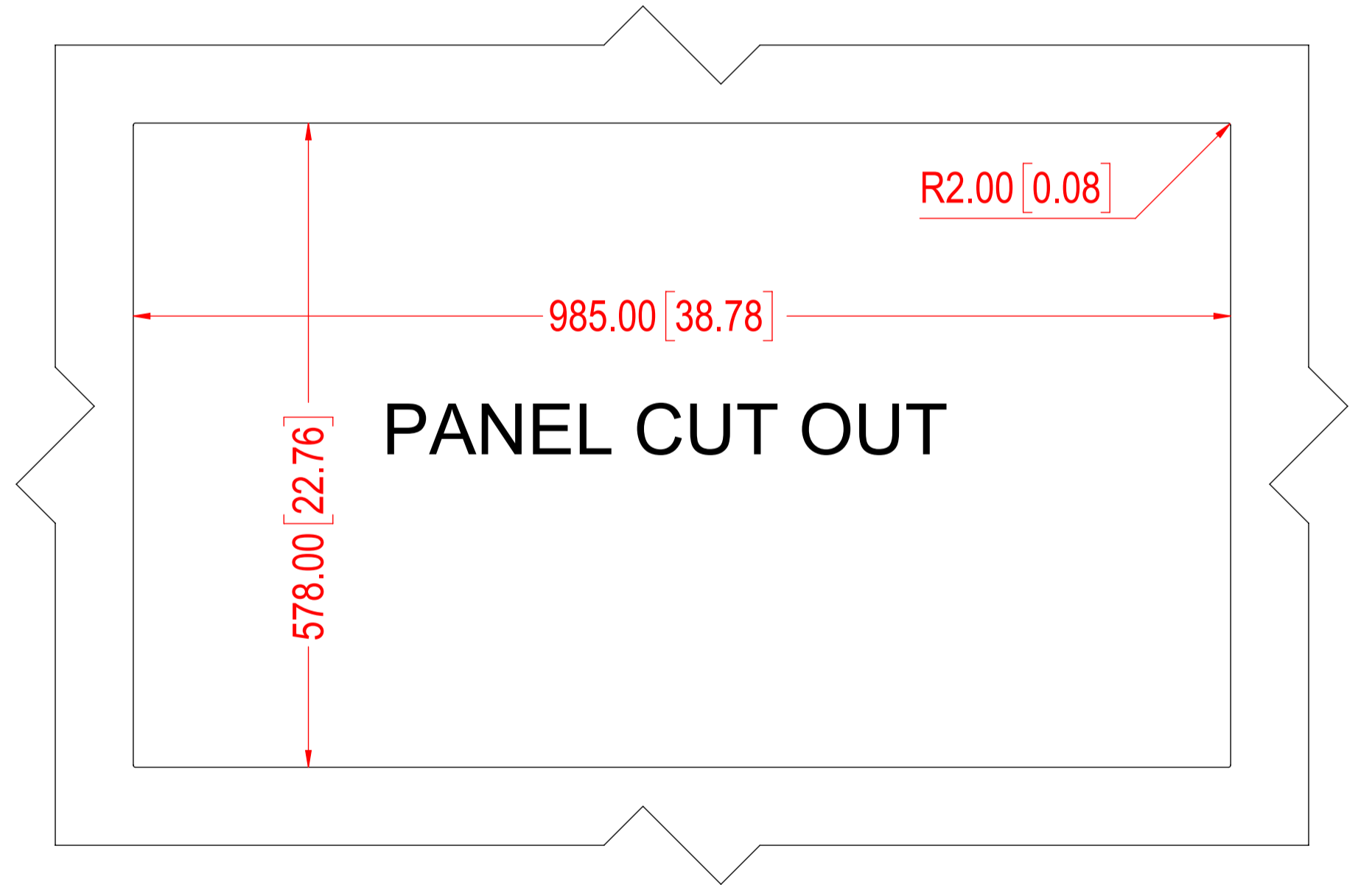
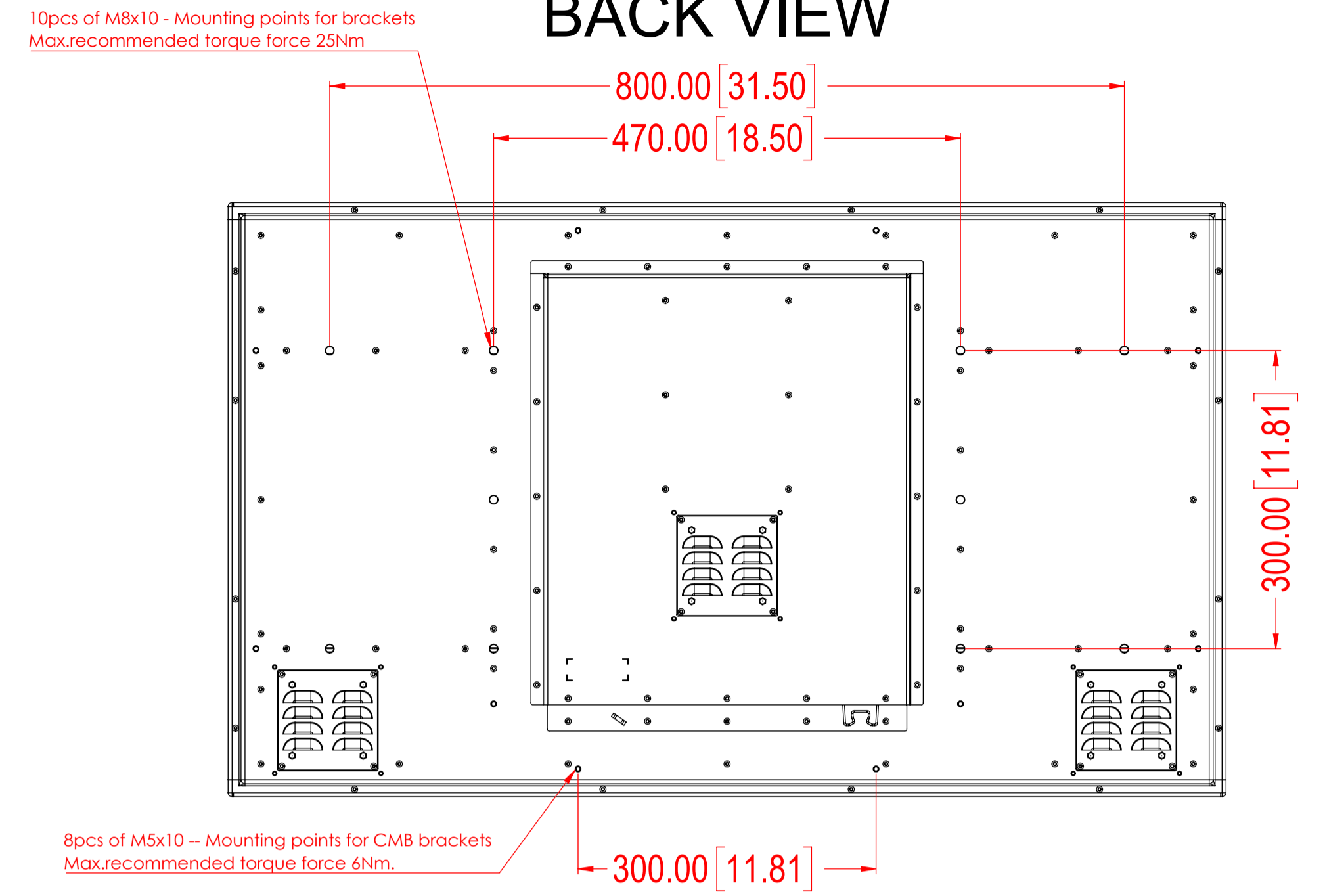
SIDE VIEW



ISOMETRIC VIEW



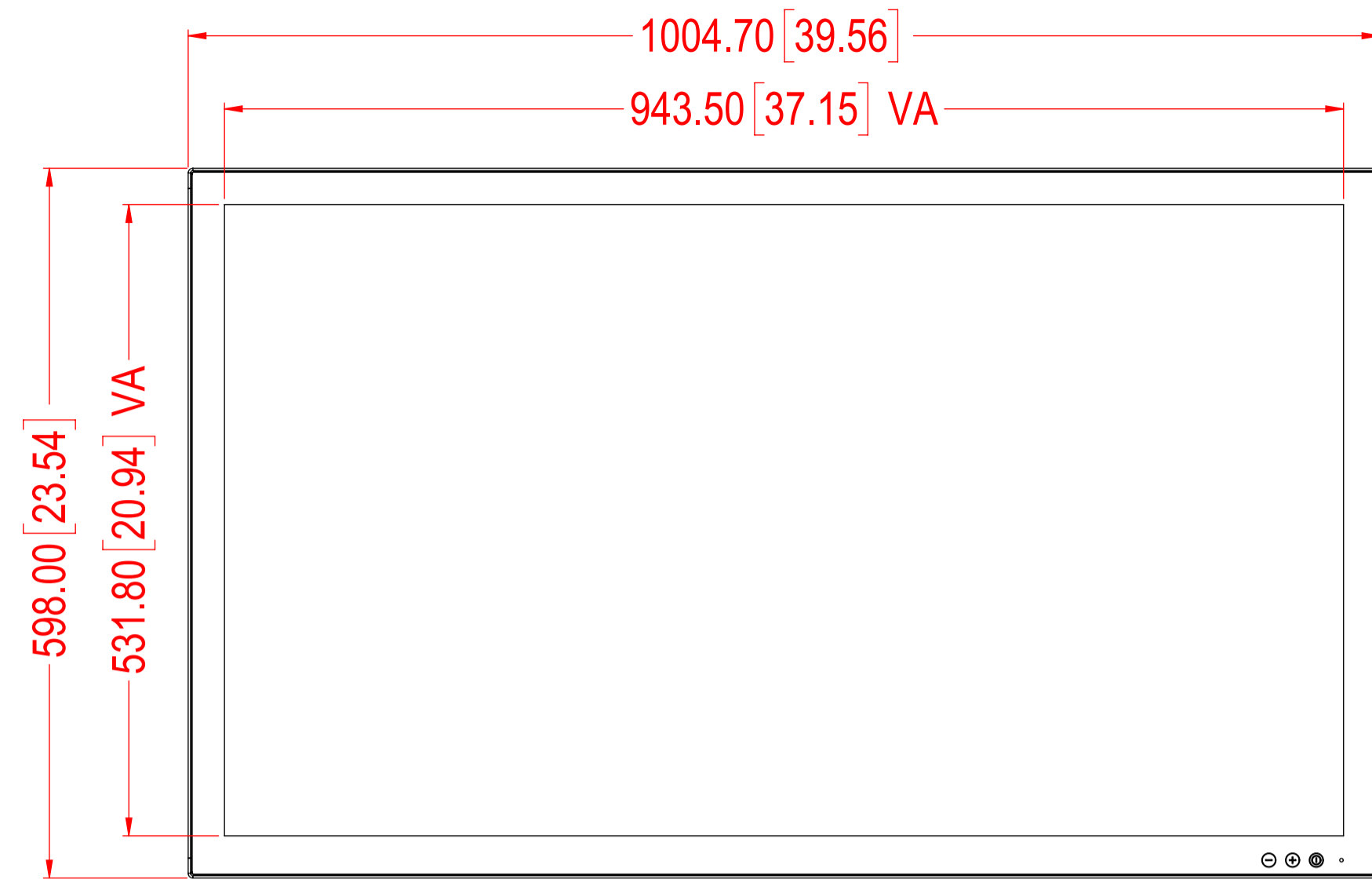
BACK VIEW



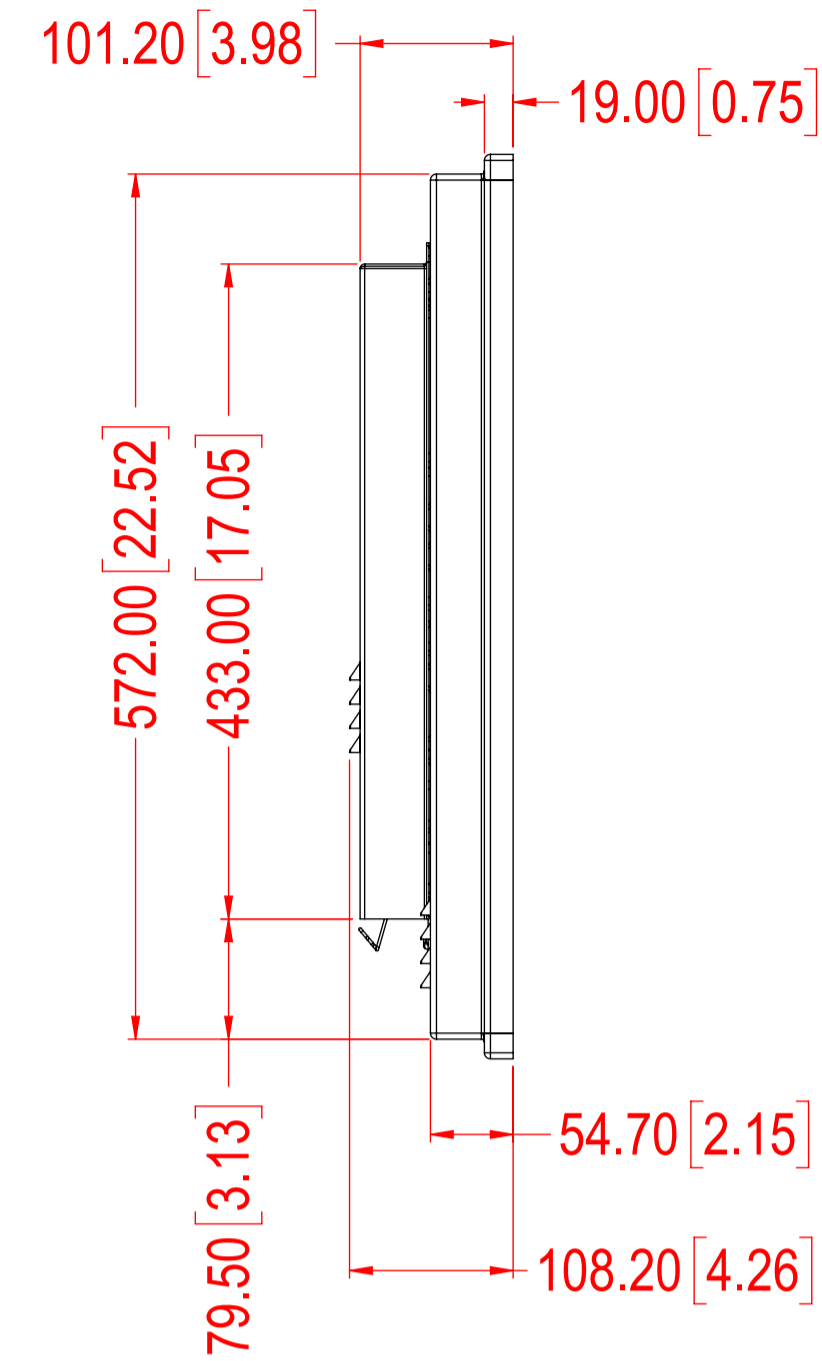
Creation date / by:	/	Projection:	A1	HATTELAND TECHNOLOGY an EMBRON Company
Last rev. date / by:	/		Scale: 1:5	
Hatteland Technology AS Eikeskogvegen 52 N-5570 Akksdal			Tolerance	Approved by: _____ Revision: 01
			ISO 2768-mK	Drawing number: A013177

This document is the property of Hatteland Technology AS.
 This document and any authorized reproduction thereof, must not be used in
 any way against the interest of Hatteland Technology AS.
 Any authorized reproduction, in whole or in part, must include this legend.

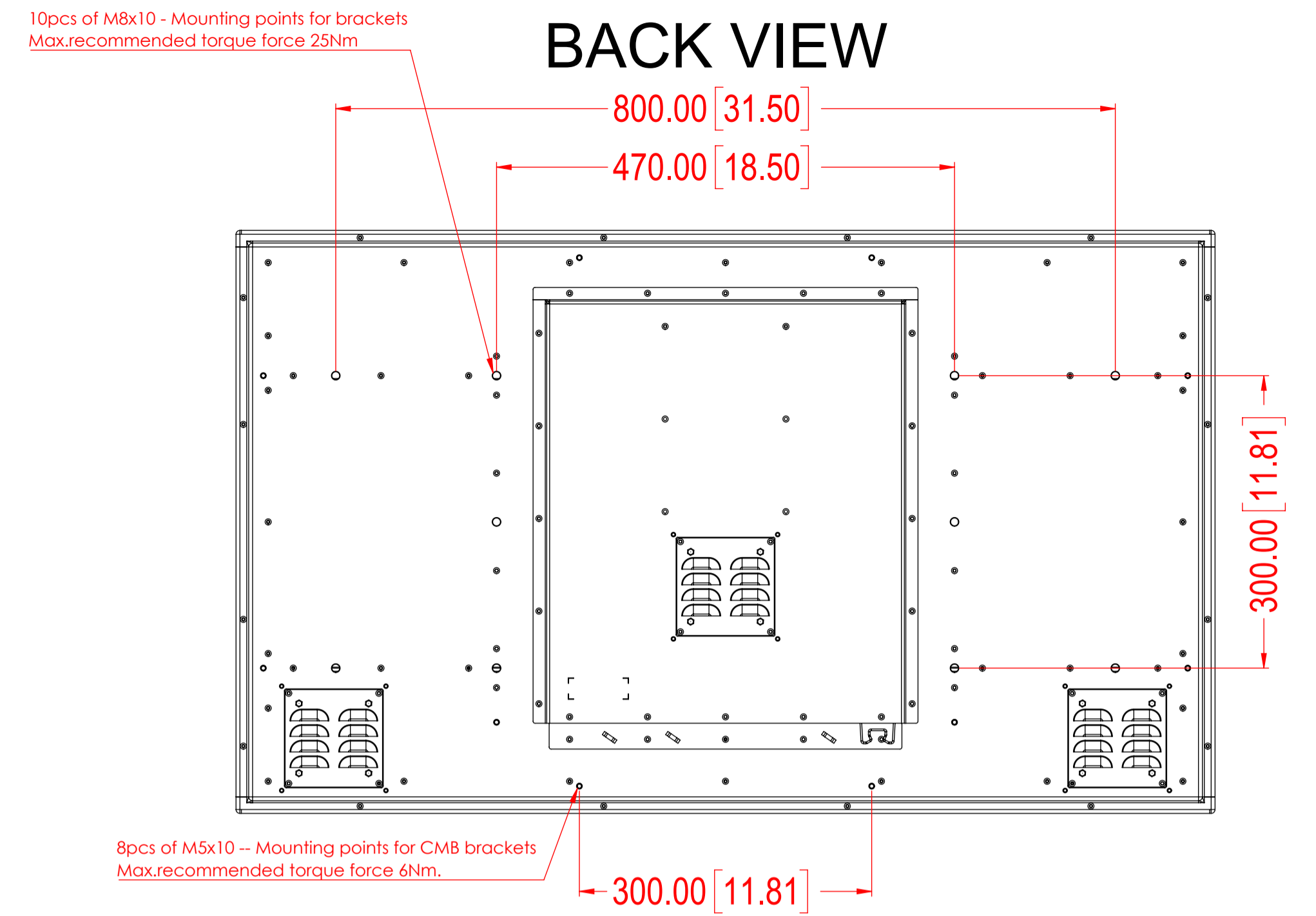
FRONT VIEW



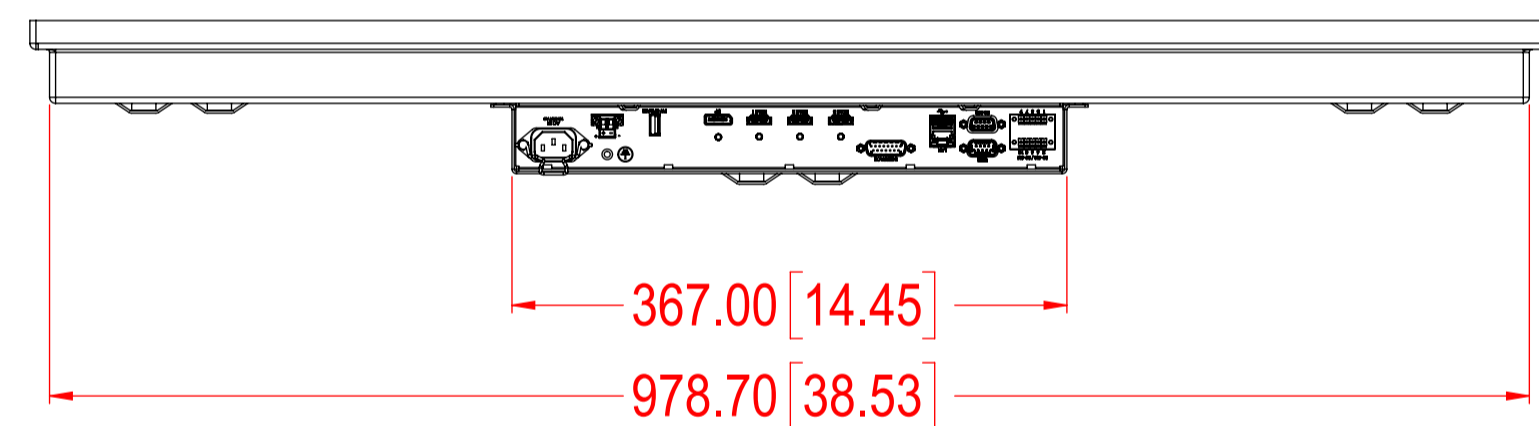
SIDE VIEW



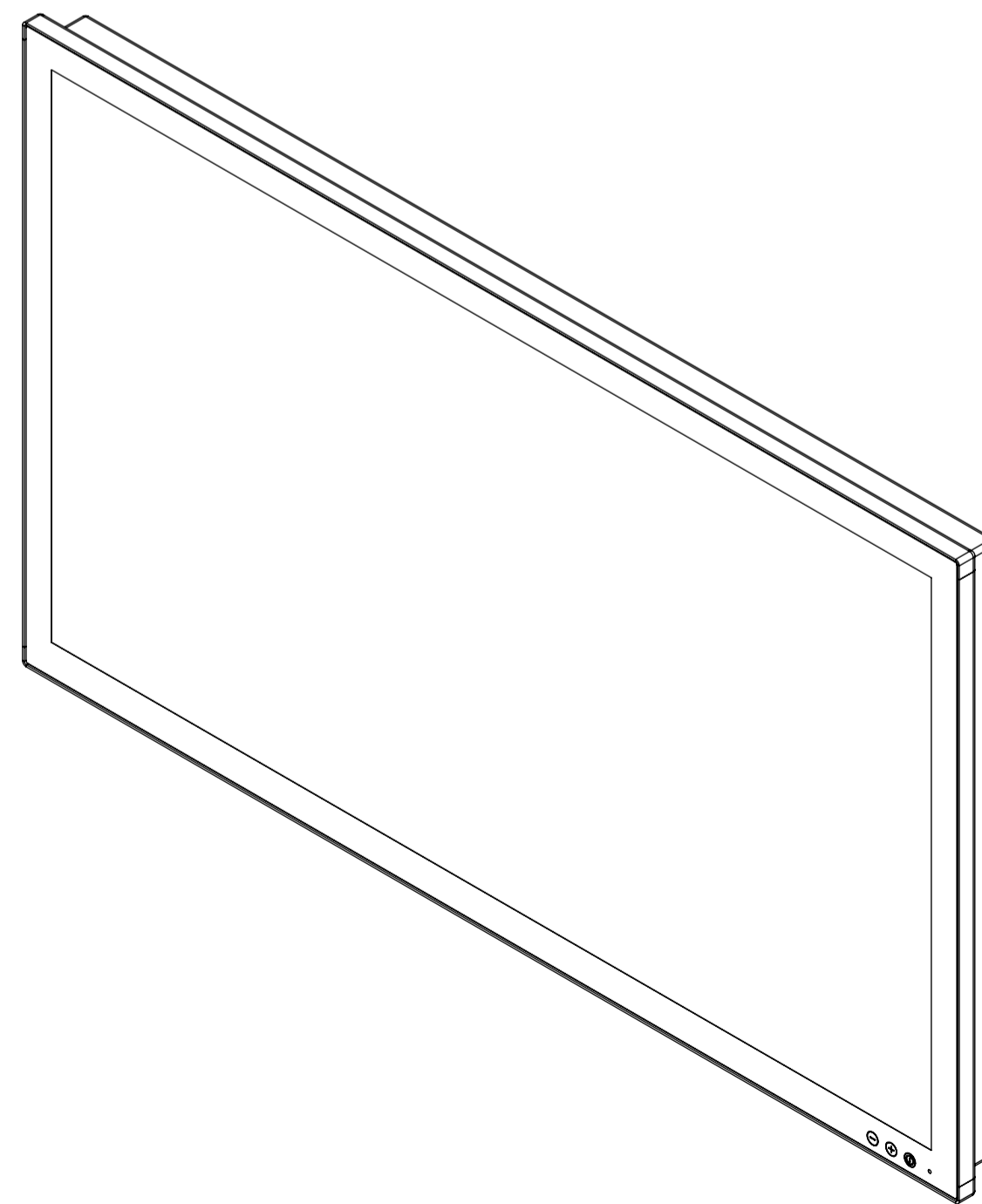
BACK VIEW



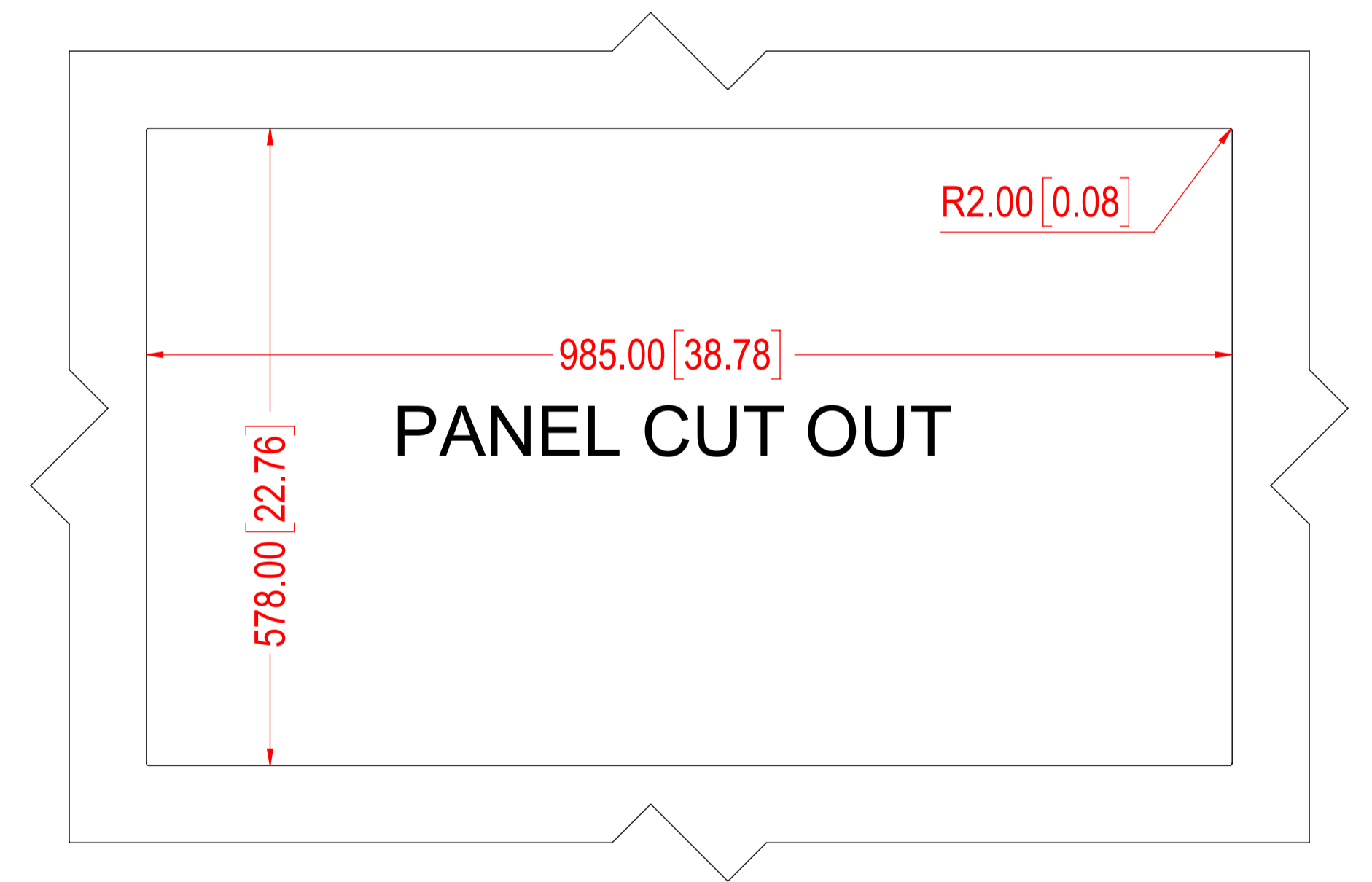
INTERFACES AREA



ISOMETRIC VIEW



PANEL CUT OUT



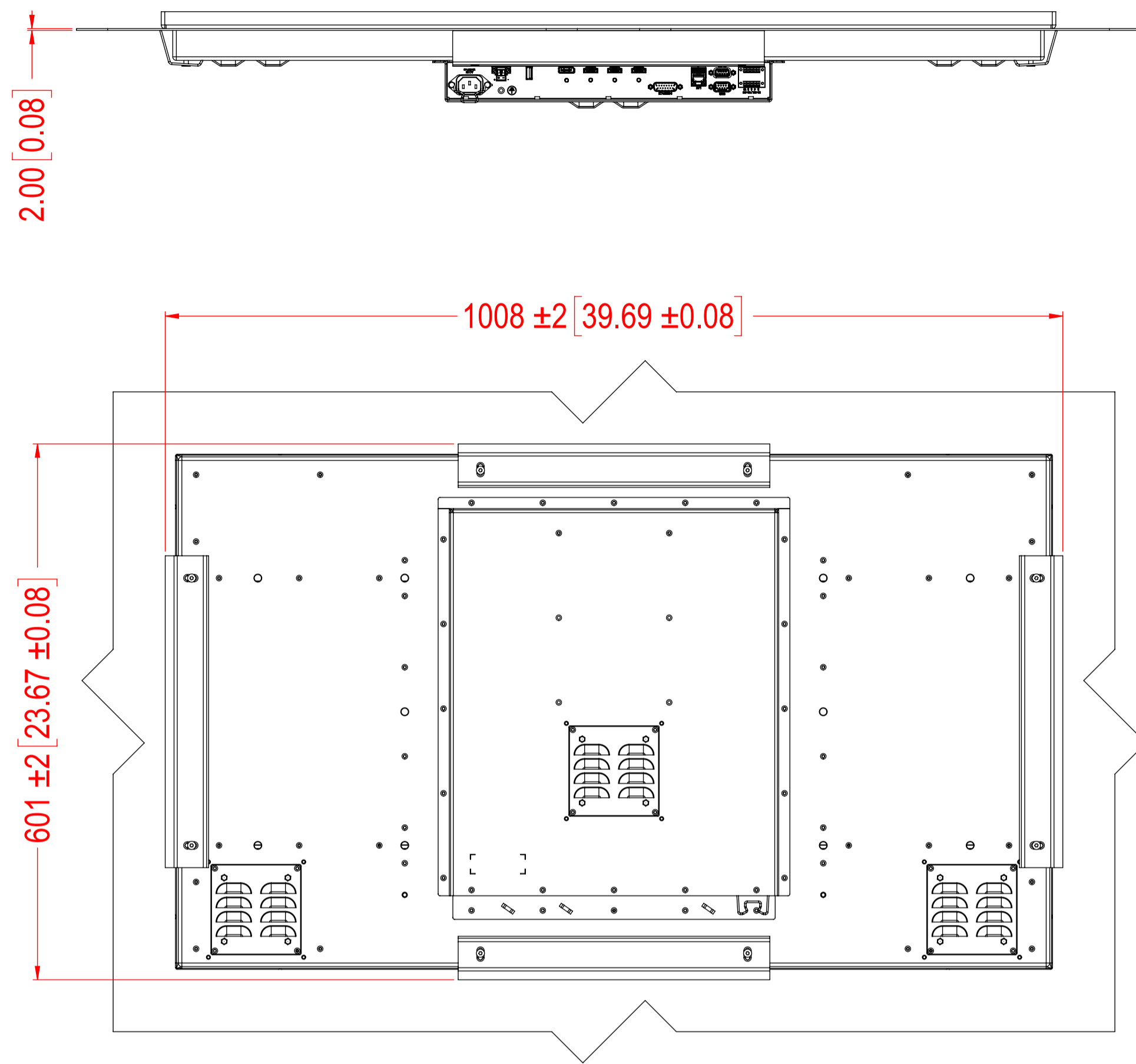
SALES DRAWINGS HD 43T40 MVD

Units: mm [inches]

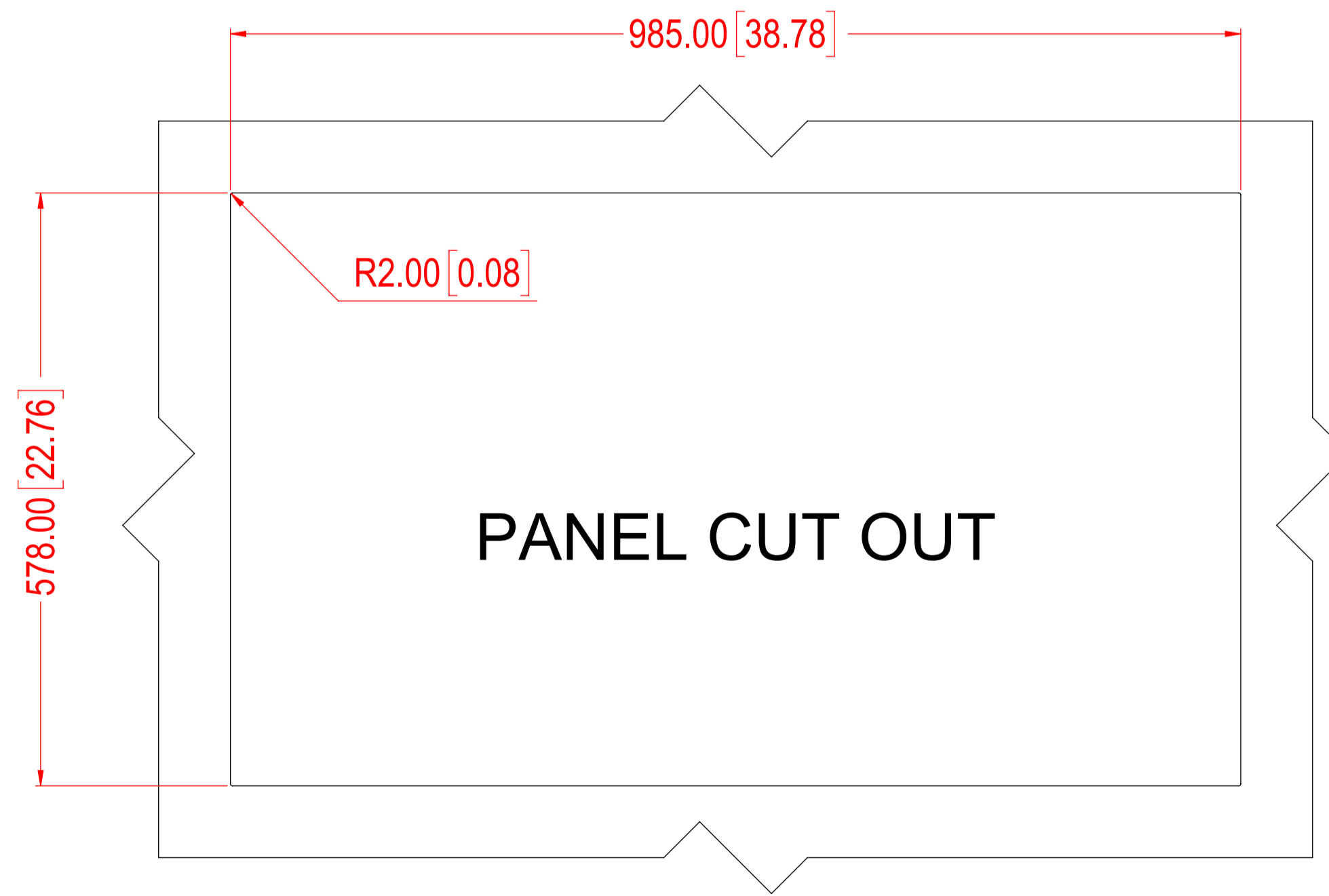
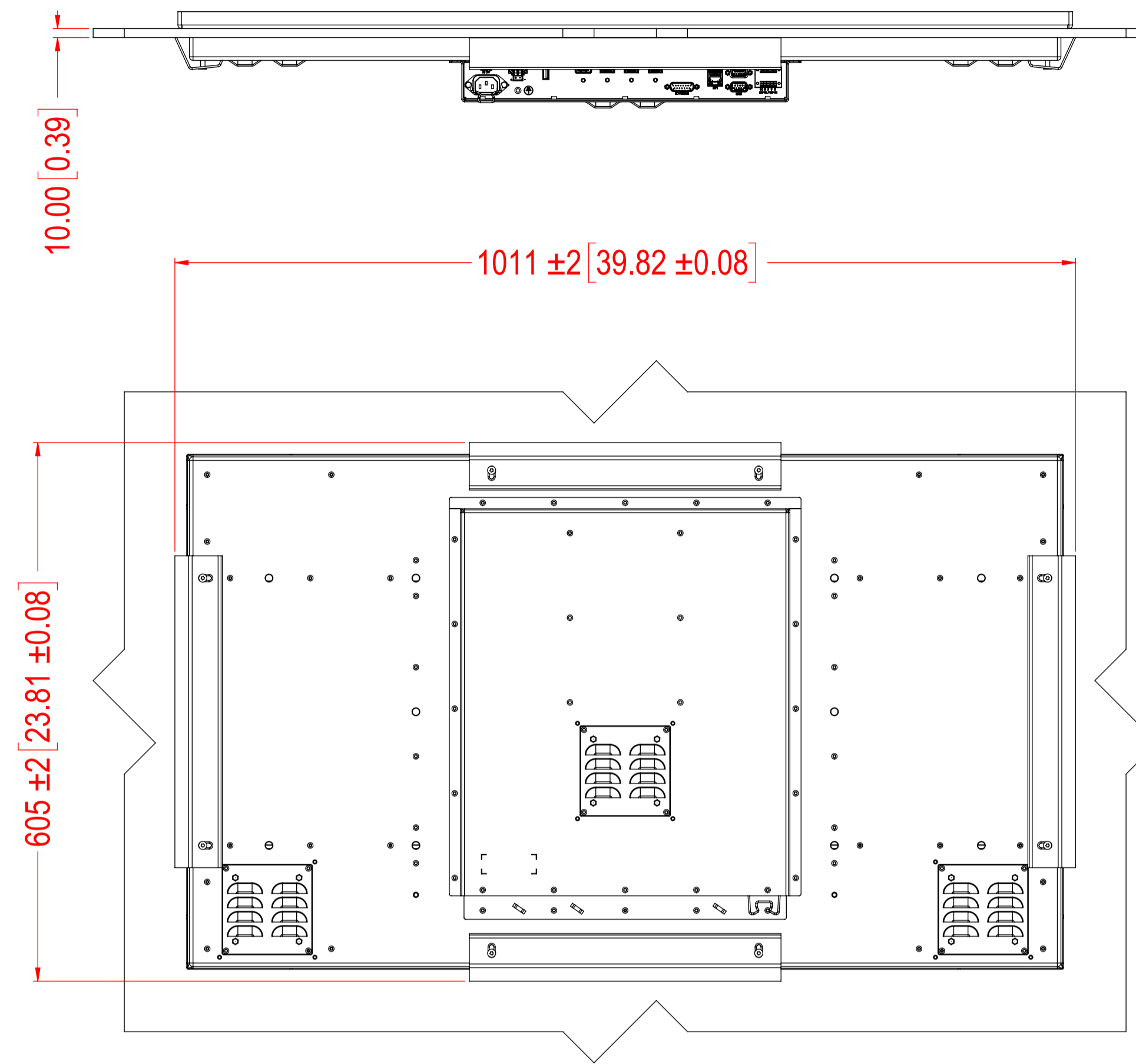
Creation date / by:	/	Projection:	A1	HATTELAND TECHNOLOGY an EMBRON Company
Last rev. date / by:	/		Scale: 1:5	
Hatteland Technology AS Eikeskogvegen 52 N-5570 Akdsdal			Tolerance	Approved by:
			ISO 2768-mK	Revision: 01
			Drawing number:	A013177

This document is the property of Hatteland Technology AS.
 This document and any authorized reproduction thereof, must not be used in
 any way against the interest of Hatteland Technology AS.
 Any authorized reproduction, in whole or in part, must include this legend.

MINIMUM CONSOLE THICKNESS



MAXIMUM CONSOLE THICKNESS



SALES DRAWING HD CMB SX2-I1

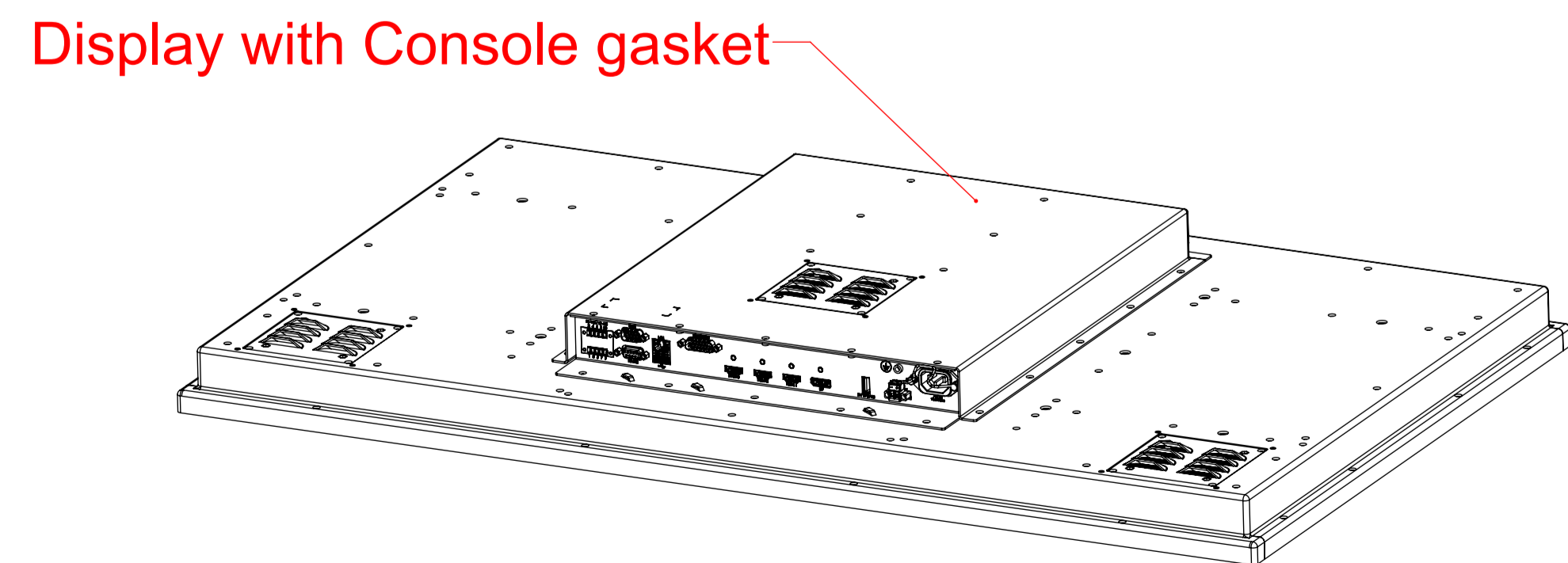
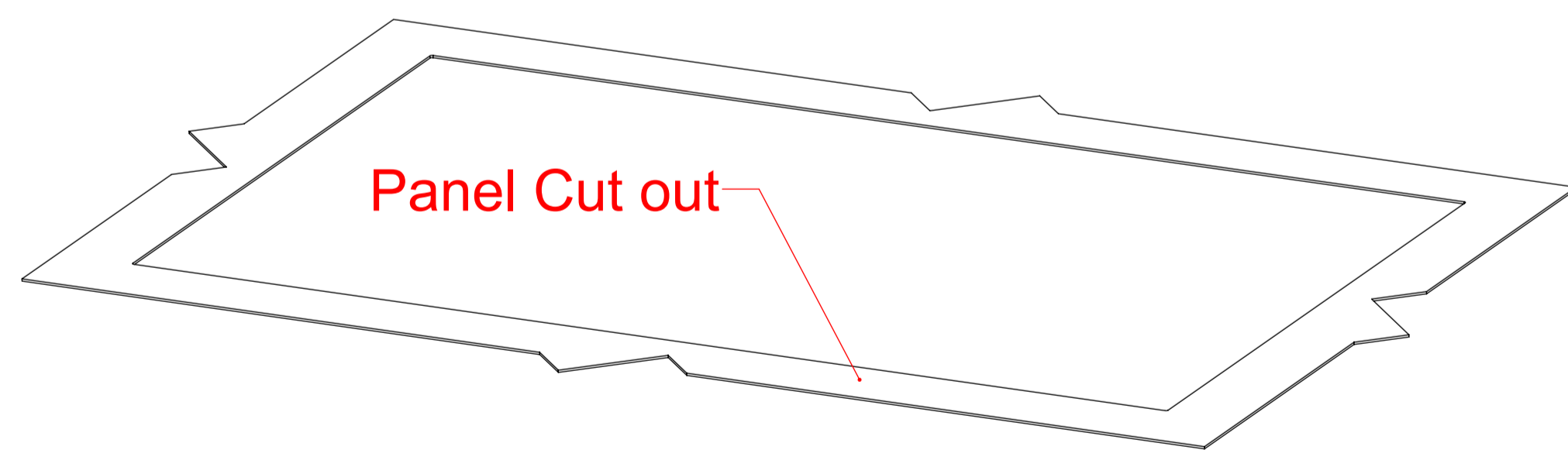
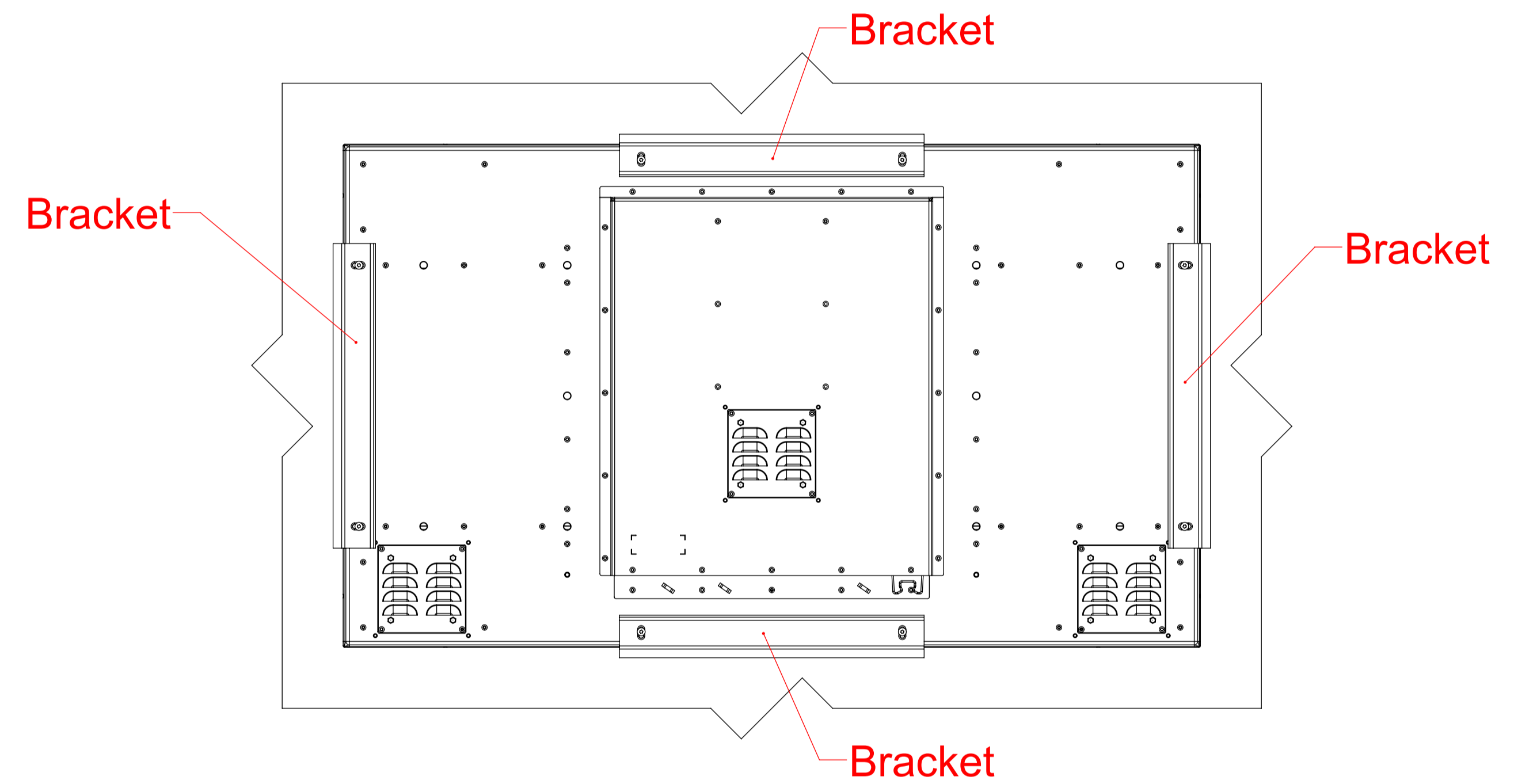
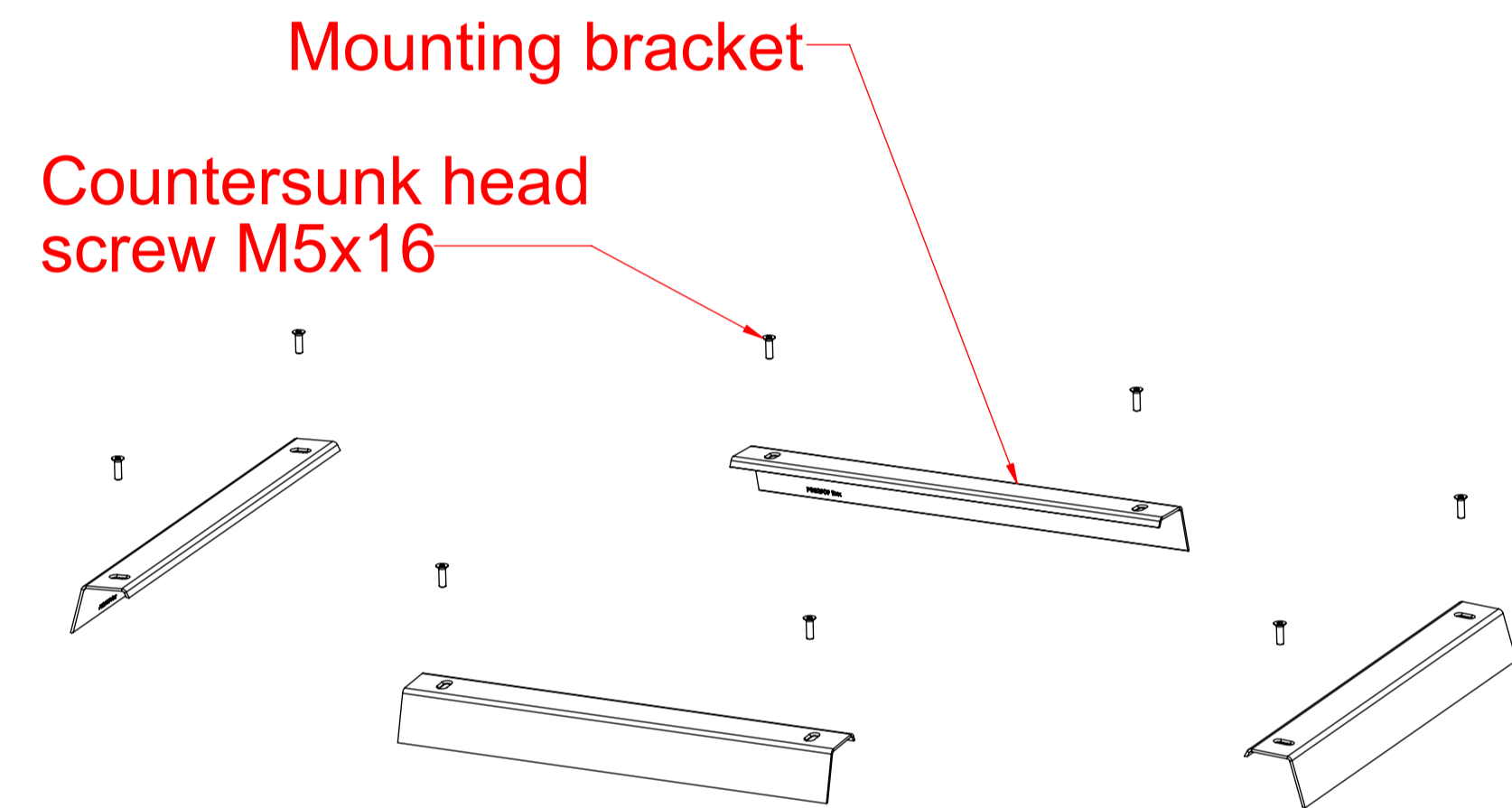
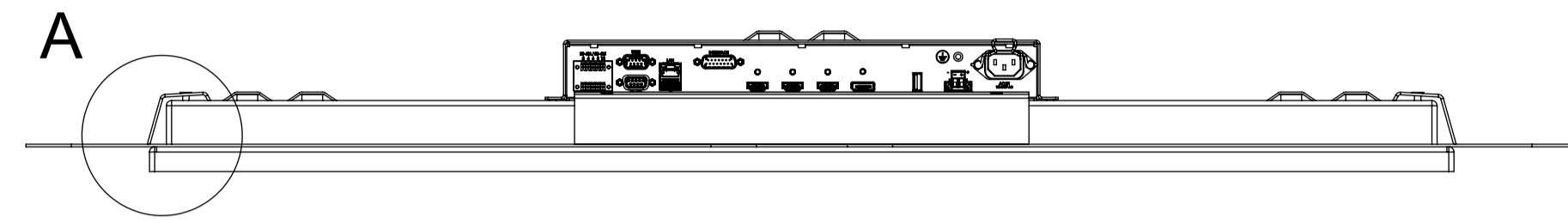
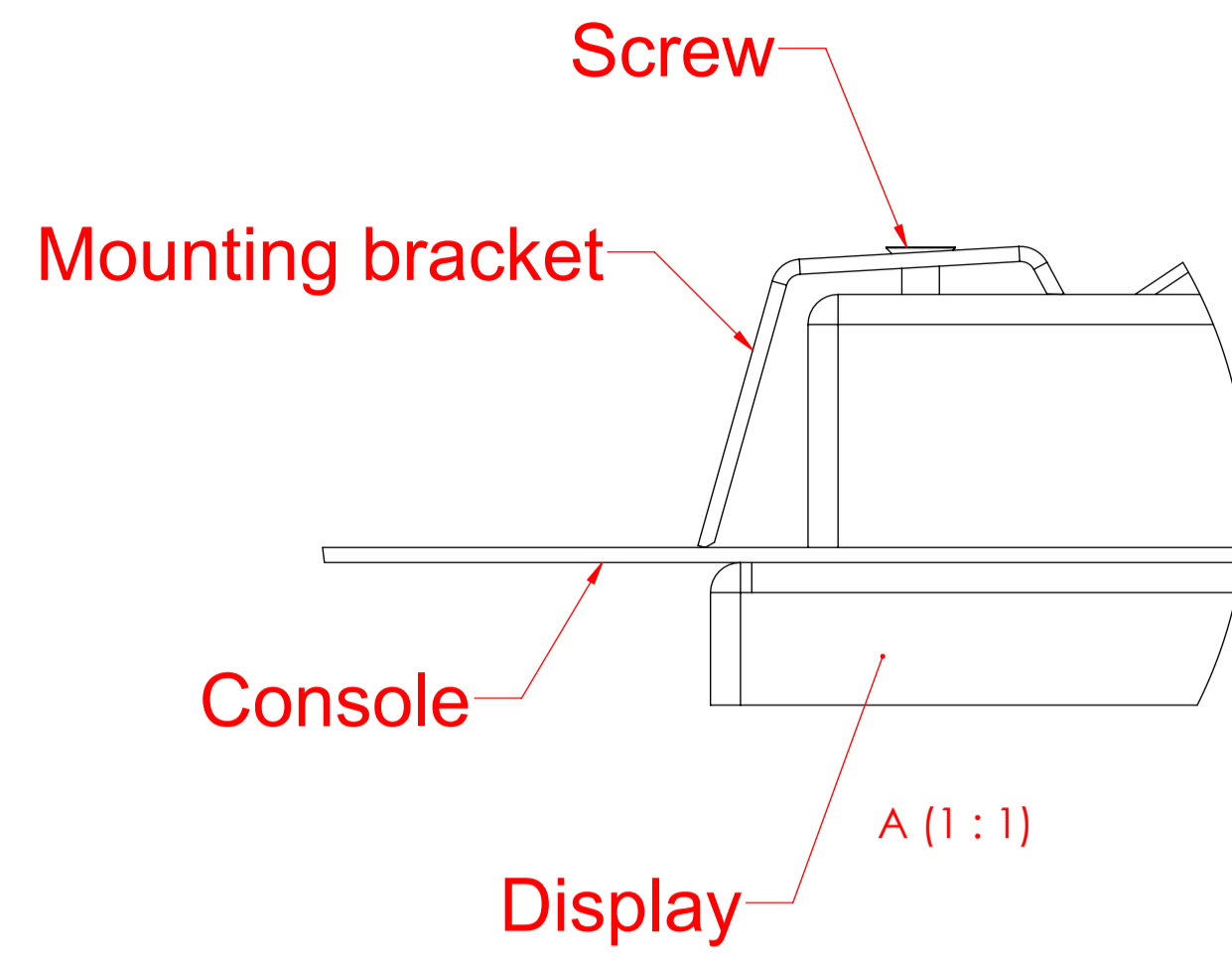
HD 43T40 Display shown / used as illustration ONLY in this drawing.
 Procedure is valid for all HD 43T40 xxx-xxx-xxxx models.

Units: mm [inches]

Creation date / by:	/	Projection:	A1	HATTELAND TECHNOLOGY <small>an EMBRON Company</small>
Last rev. date / by:	/		Scale: 1:5	
Hatteland Technology AS Eikeskogvegen 52 N-5570 Akksdal			Tolerance: ISO 2768-mK	Approved by: _____ Revision: 01
			Drawing number:	A013177

This document is the property of Hatteland Technology AS.
 This document and any authorized reproduction thereof, must not be used in
 any way against the interest of Hatteland Technology AS.
 Any authorized reproduction, in whole or in part, must include this legend.

BRACKET INSTRUCTIONS



SALES DRAWING HD CMB SX2-I1
 HD 43T40 Display shown / used as illustration ONLY in this drawing.
 Procedure is valid for all HD 43T40 xxx-xxx-xxxx models.

Units: mm [inches]

Creation date / by: /	Projection:	A1	HATTELAND TECHNOLOGY <small>an EMBRON Company</small>	
Last rev. date / by: /		Scale: 1:5	Tolerance	Approved by: _____
Hatteland Technology AS Eikeskogvegen 52 N-5570 Akksdal		ISO 2768-mK	Revision: 01	Drawing number: A013177